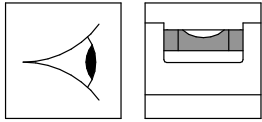


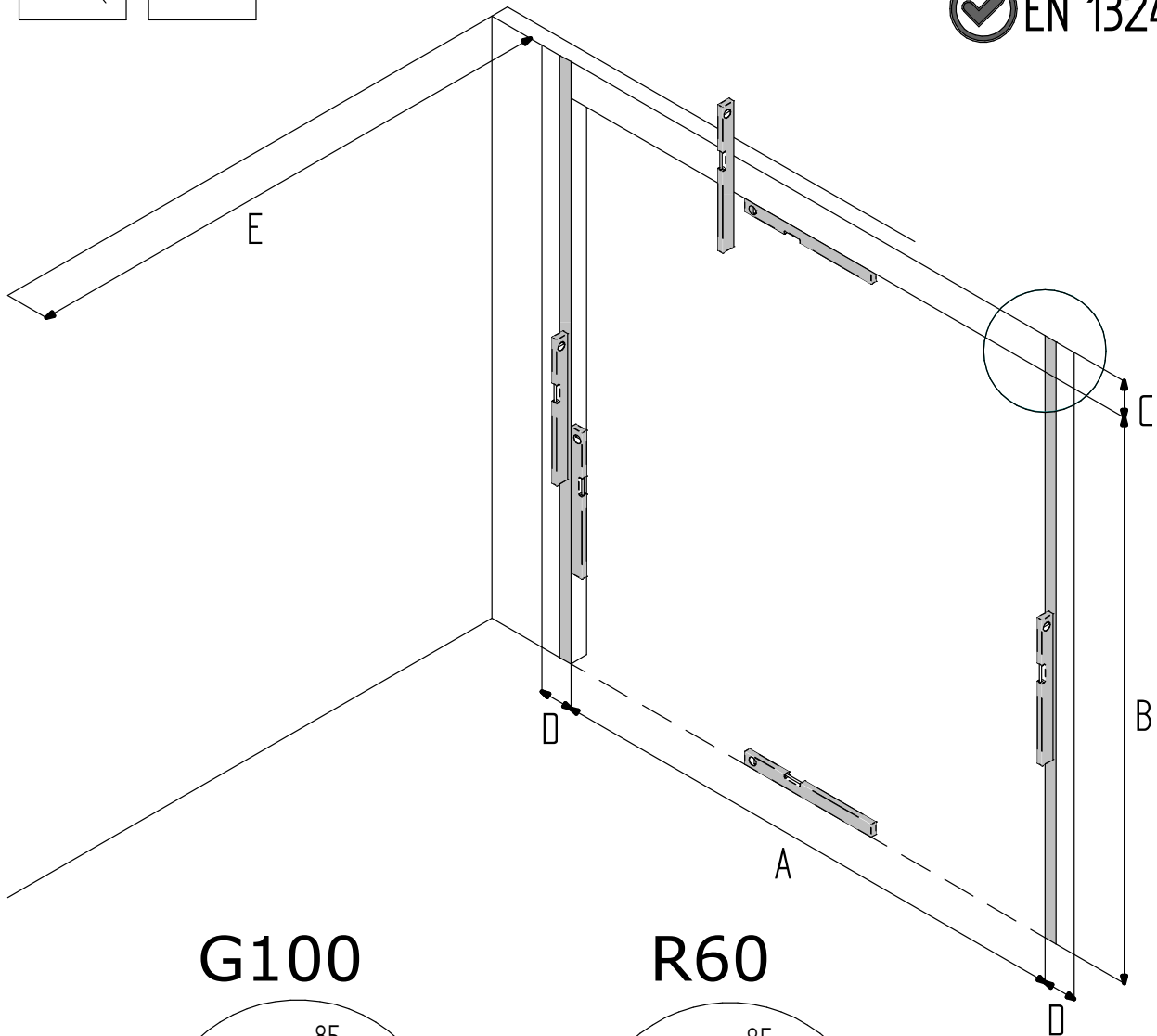
# G100 / R60

MONTAGEHANDLEIDING - ASSEMBLY MANUAL - MONTAGEANLEITUNG - MANUEL DE MONTAGE

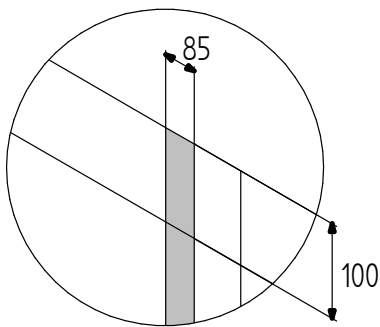




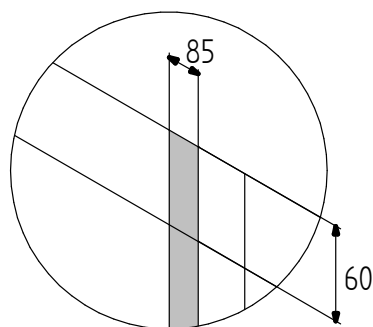
- ✓ EN 12604
- ✓ EN 12453
- ✓ EN 13241



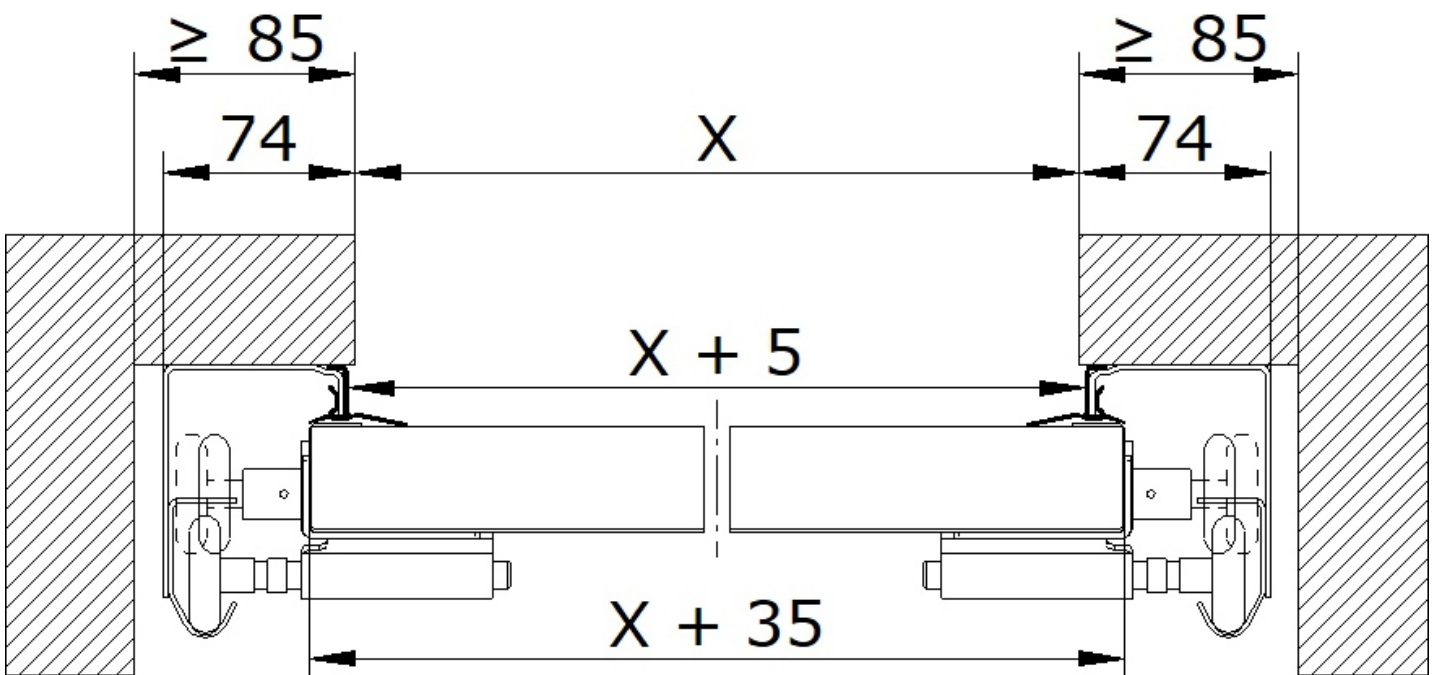
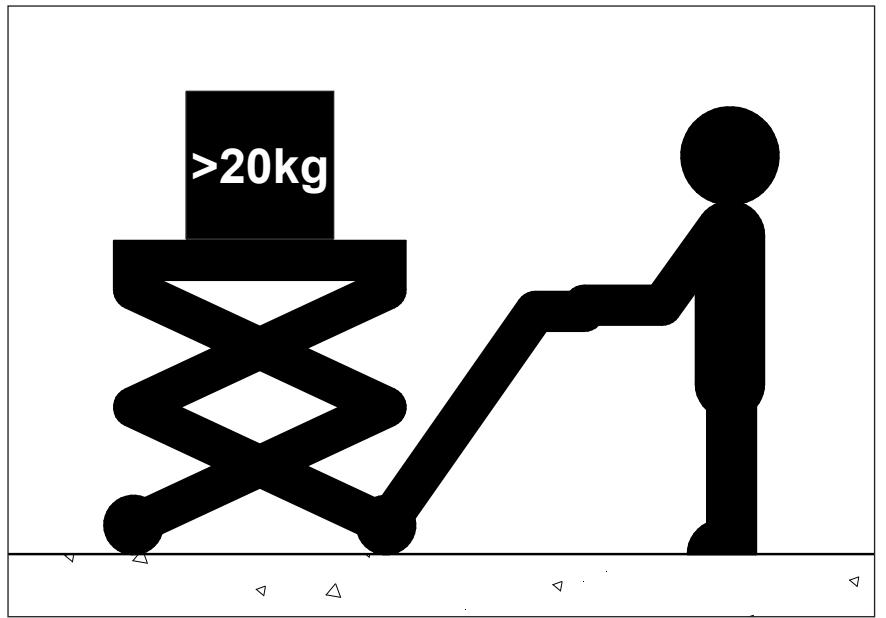
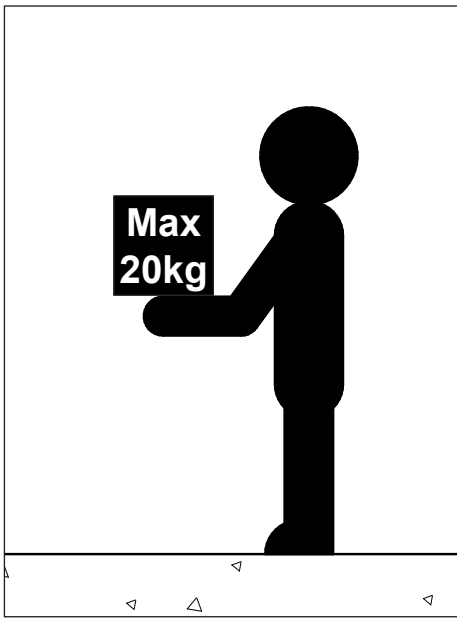
**G100**

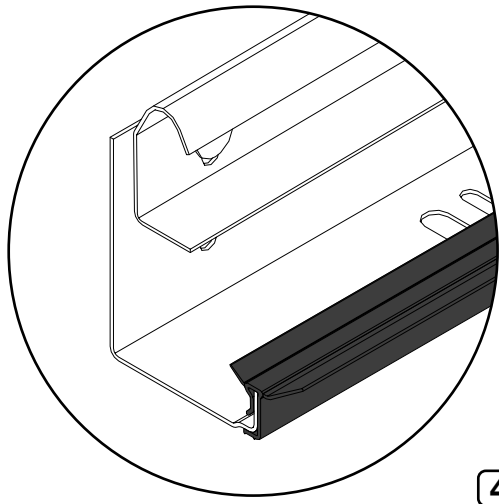


**R60**



| <b>A</b>         | <b>B</b>         | <b>C</b>                  | <b>D</b>              | <b>E</b>                  |
|------------------|------------------|---------------------------|-----------------------|---------------------------|
| <b>DLW</b>       | <b>DLH</b>       | <b>FHR</b>                | <b>FSR</b>            | <b>FMD</b>                |
| Dagmaat breedte  | Dagmaat hoogte   | Vrije bovenruimte         | Vrije zijruimte       | Inbouwdiepte              |
| Day Light Width  | Day Light Height | Free Head Room            | Free Side Room        | Free Mounting Dept        |
| Tageslichtbreite | Tageslichtehöhe  | Sturzfreiraum             | Freie Seitenraum      | Freie Einbautiefe         |
| Largeur de bai   | Hauteur de baie  | Linteau disponible        | Ecoinçons Recuis      | Recul                     |
| Lățime Gol       | Înălțime Gol     | Buiandrug Liber           | Spațiul Liber Lateral | Spațiul Liber în Adâncime |
| Szélesség        | Magasság         | Szabad szemöldök magasság | Szabad hely oldalt    | Szabad beépítési mélység  |



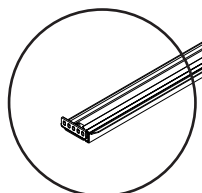
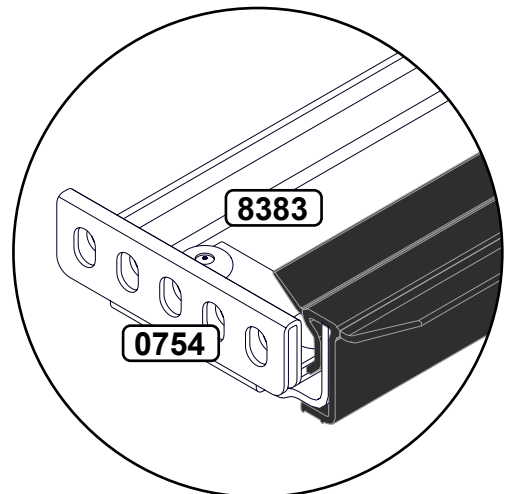


4022-0XXXX

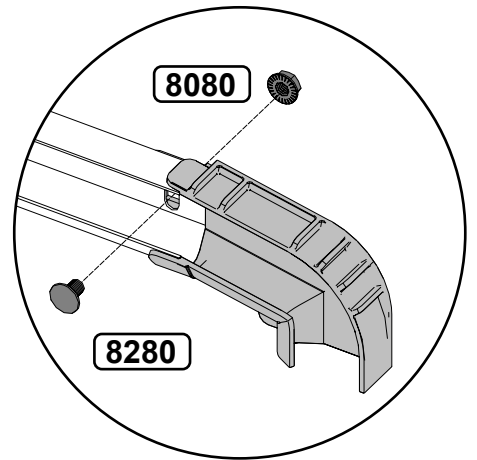
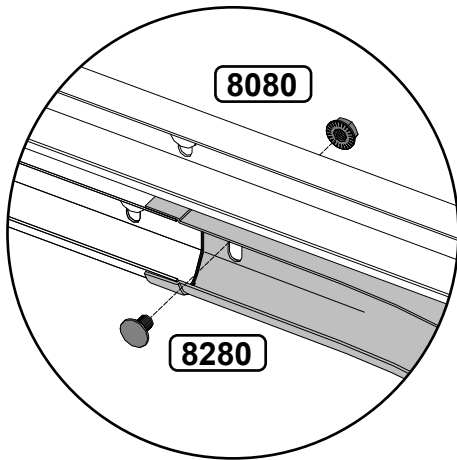
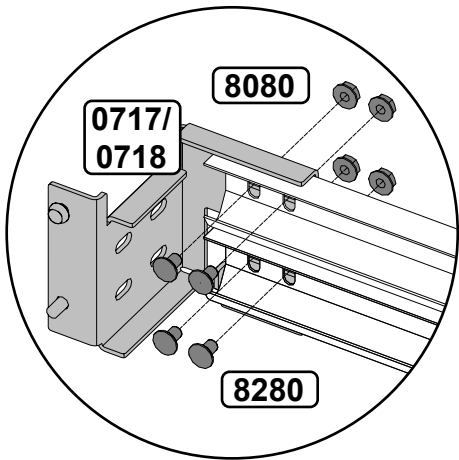
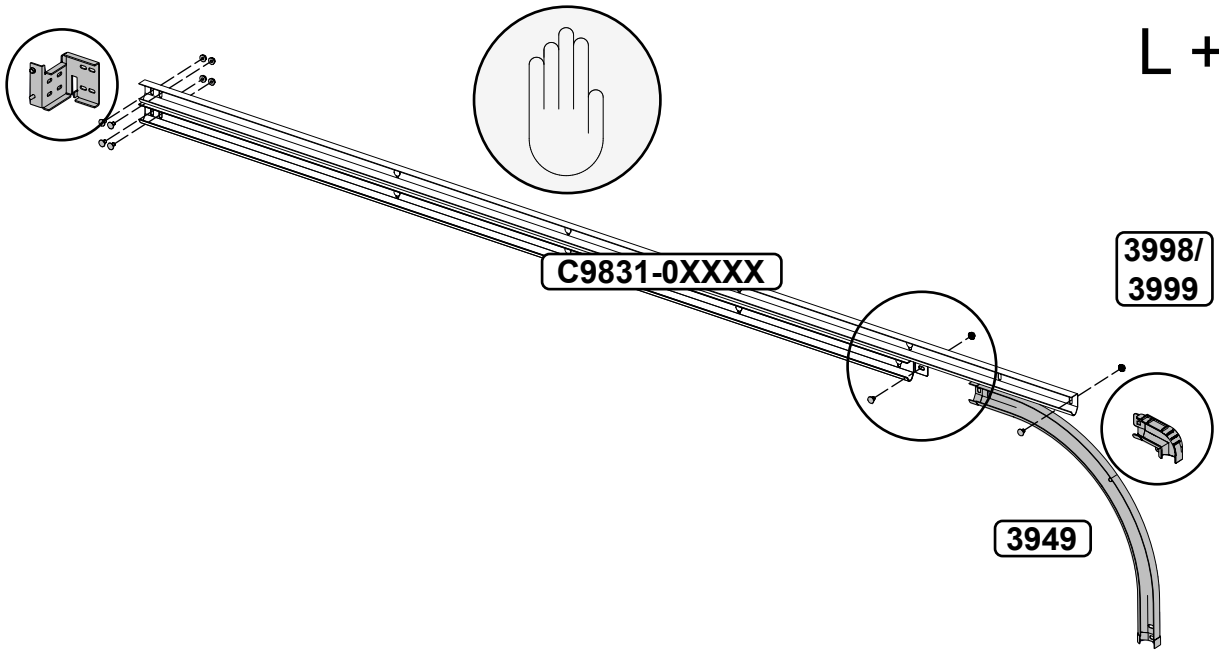
C9828-0XXXX

4022-0XXXX

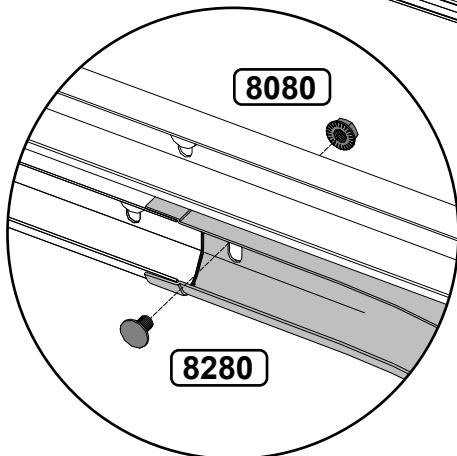
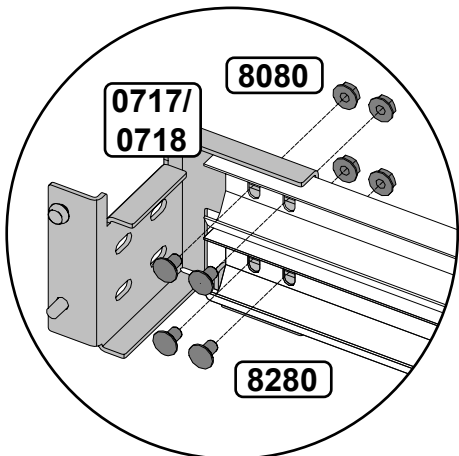
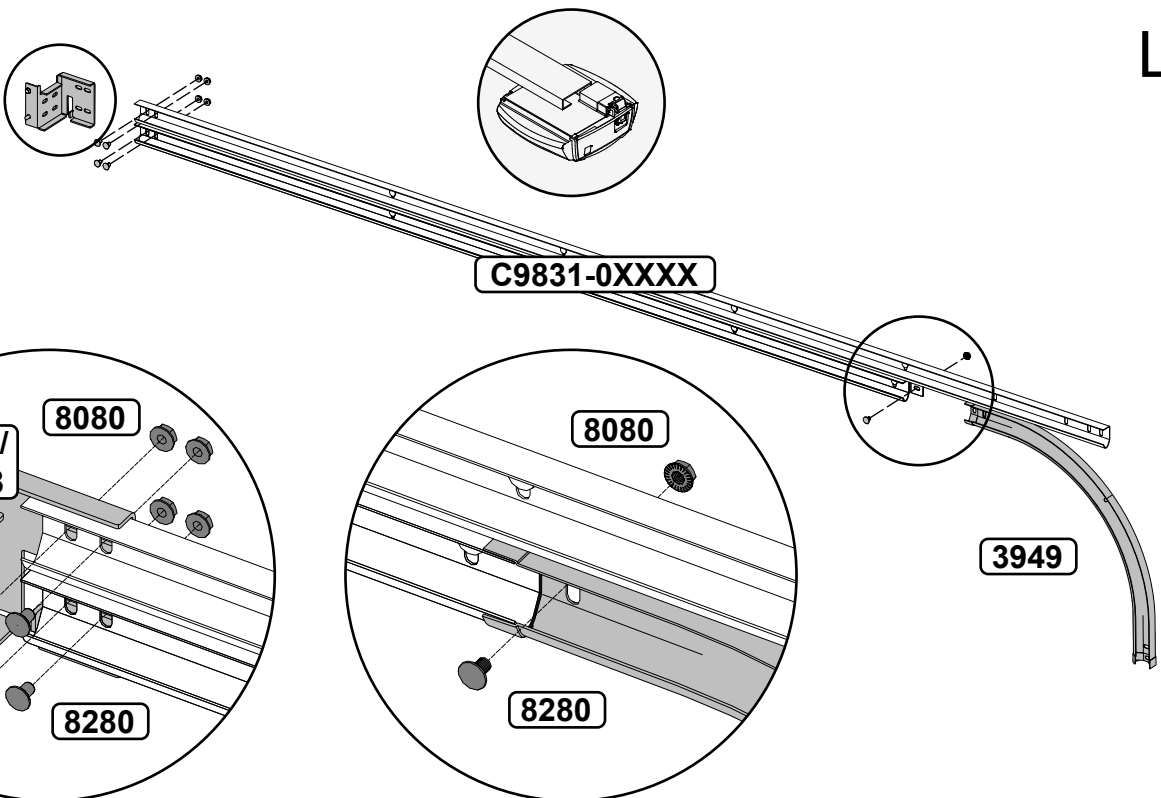
0740-0XXXX

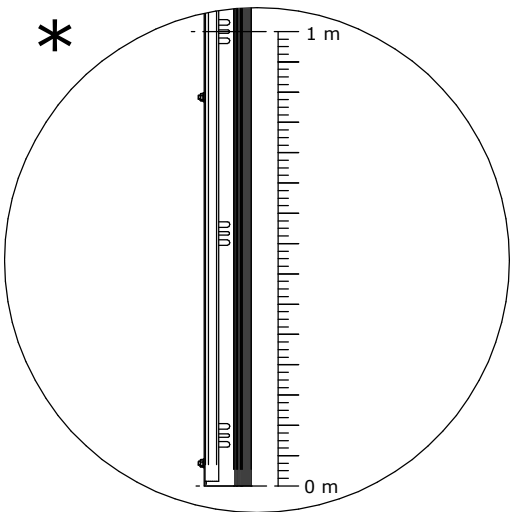
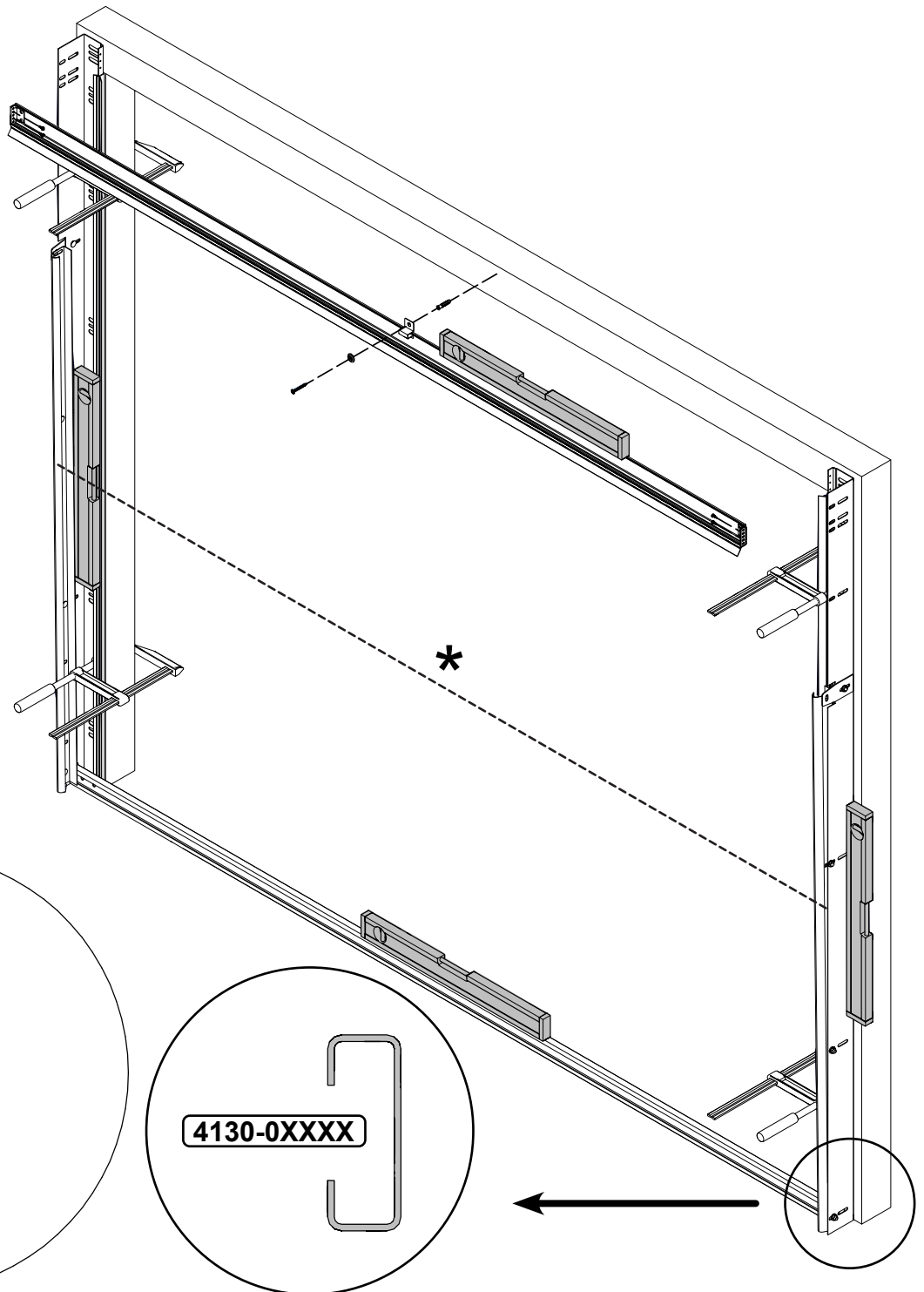
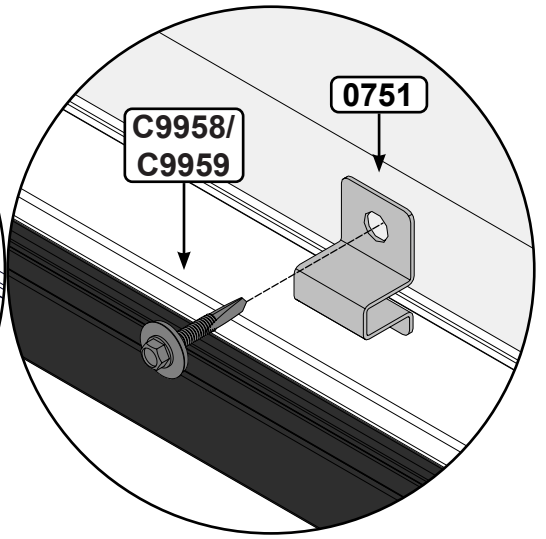
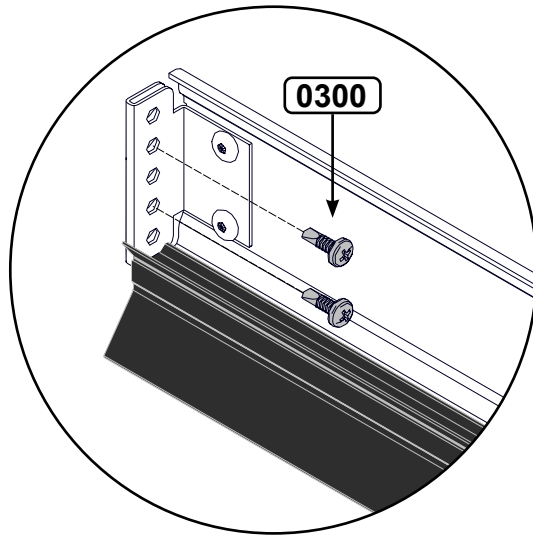


L + R

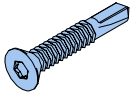


L + R



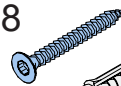


Ø6

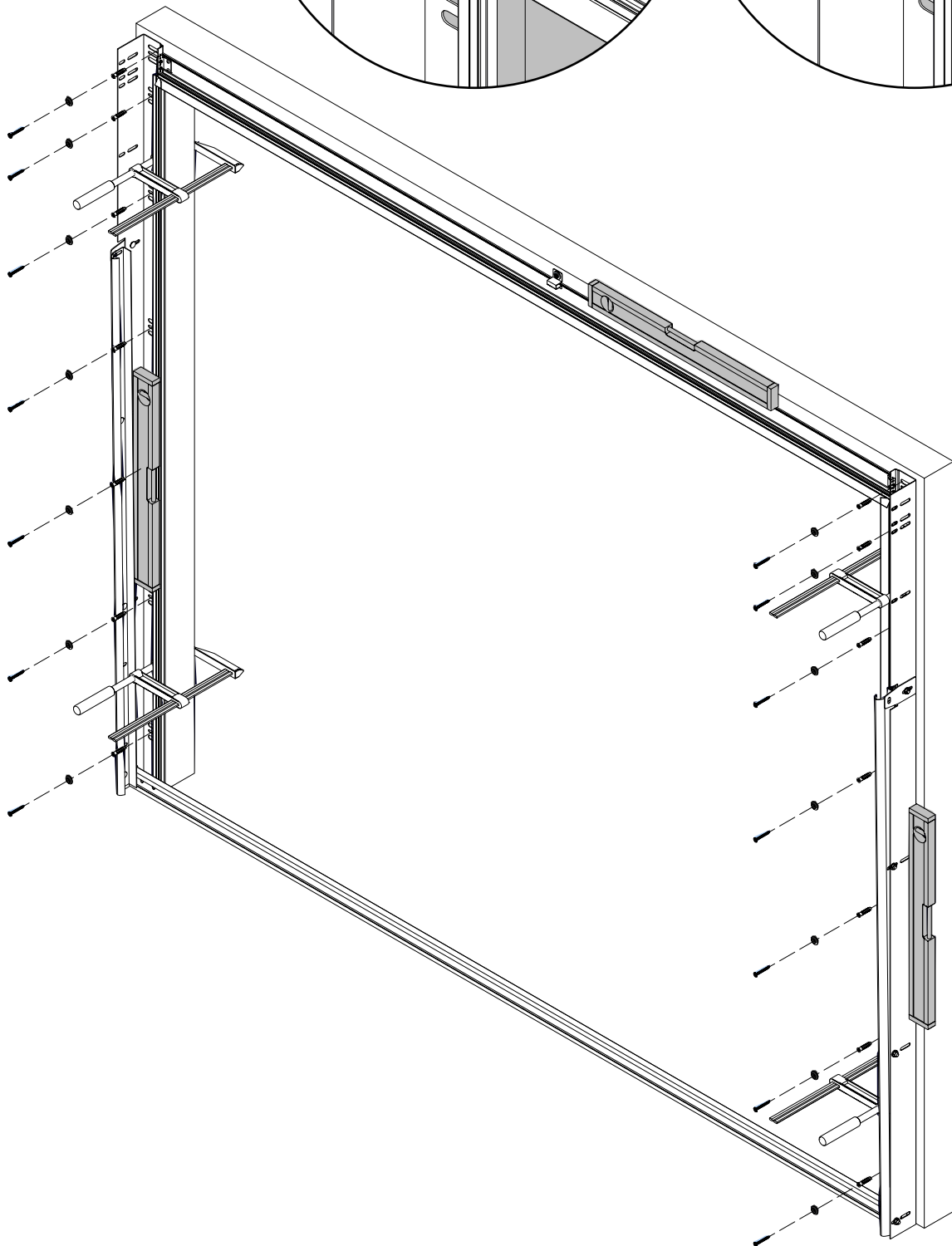
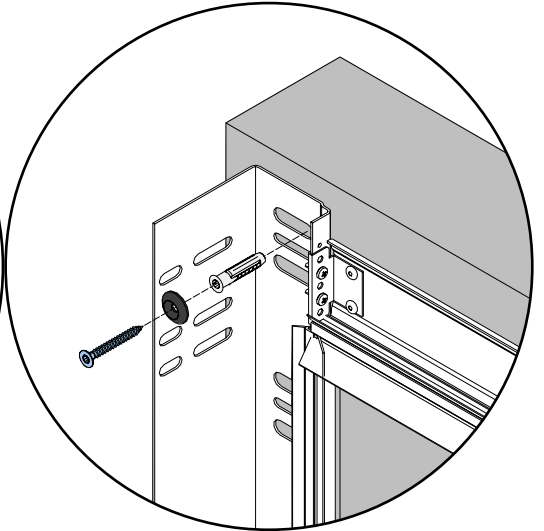
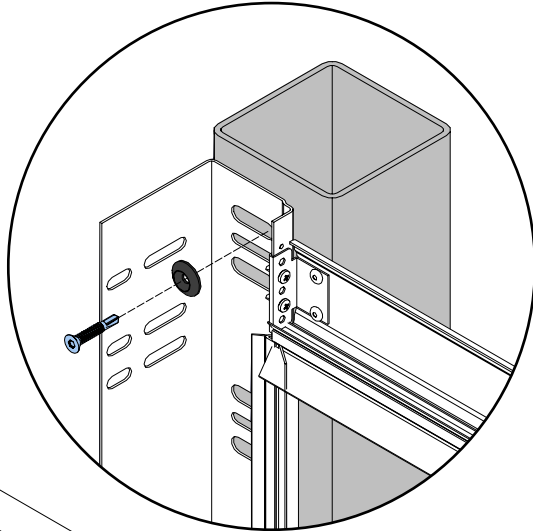


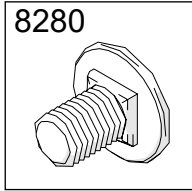
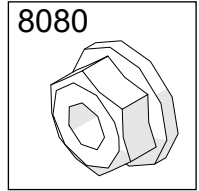
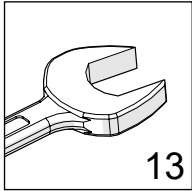
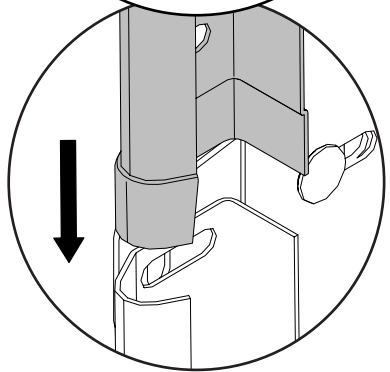
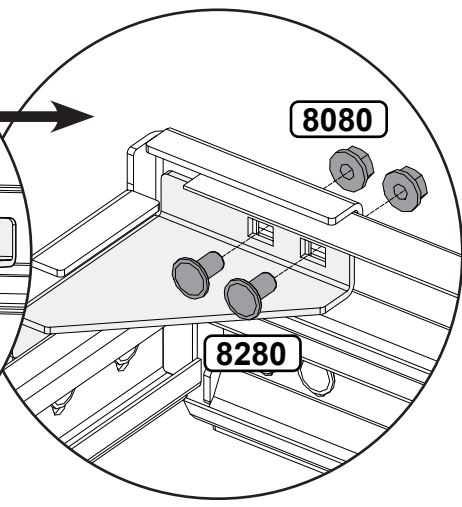
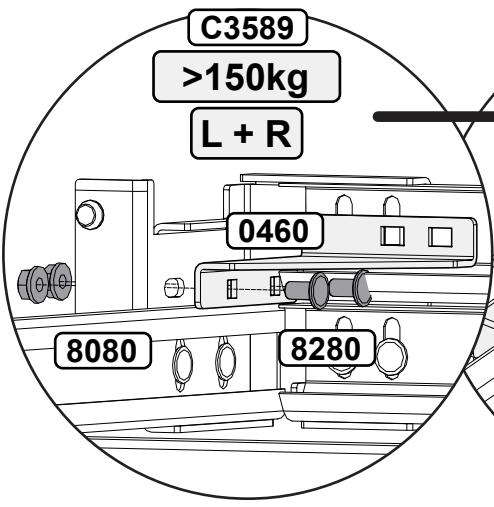
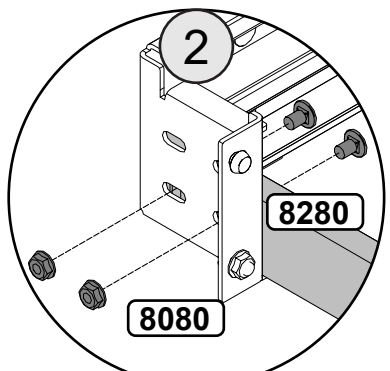
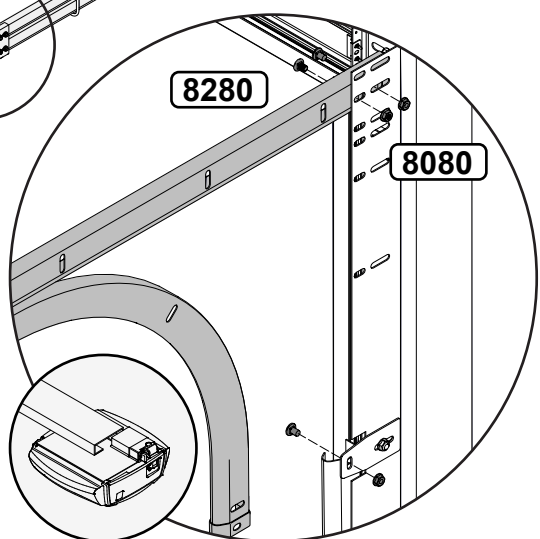
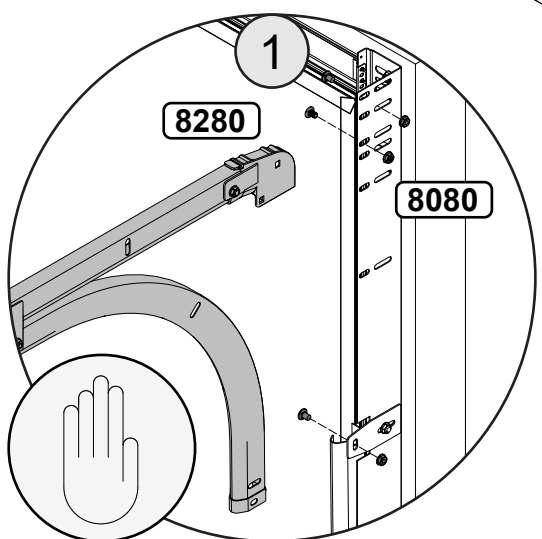
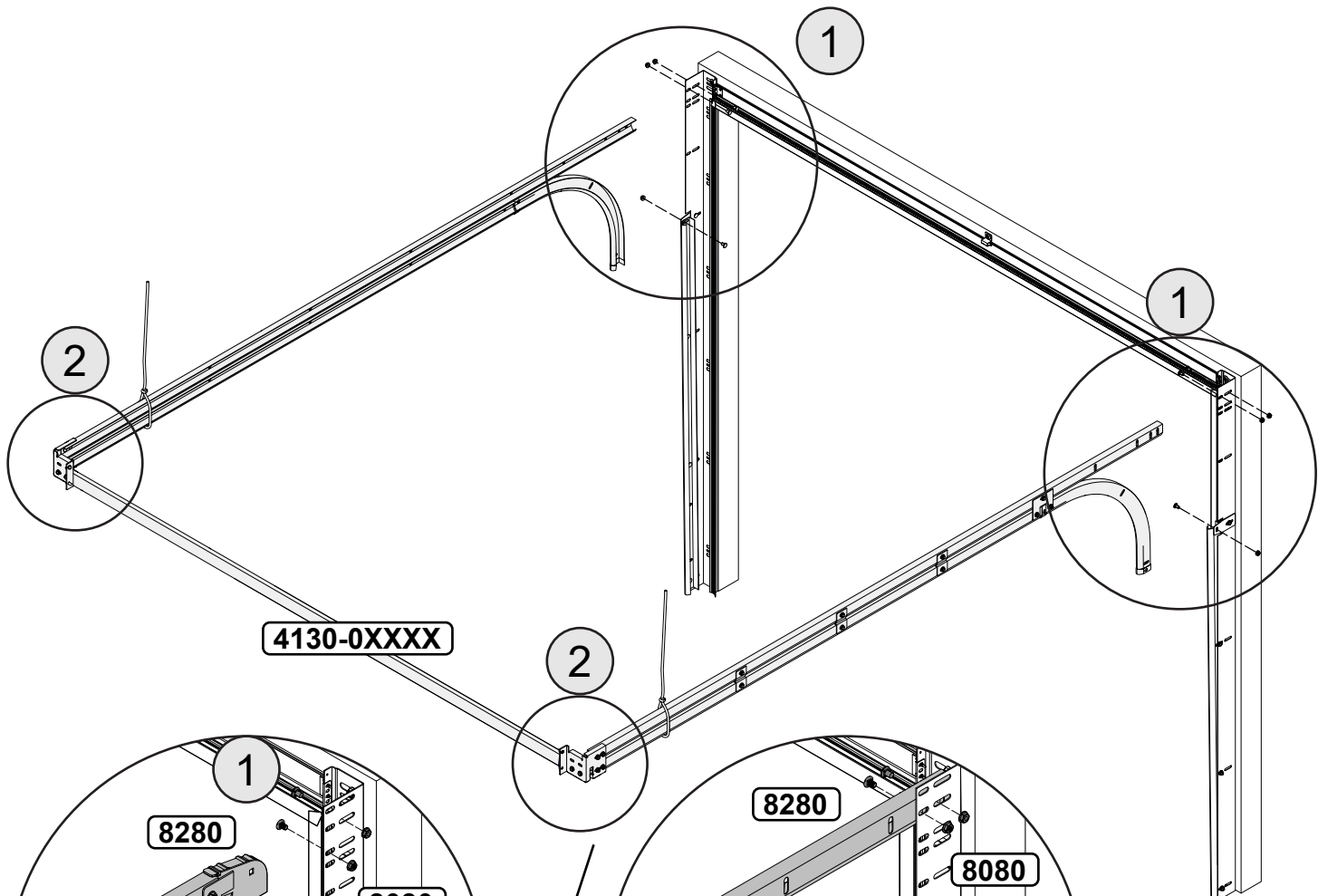
C9958

Ø8

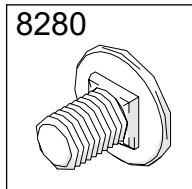
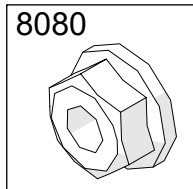
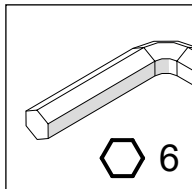
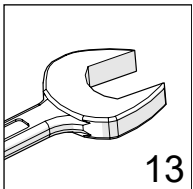
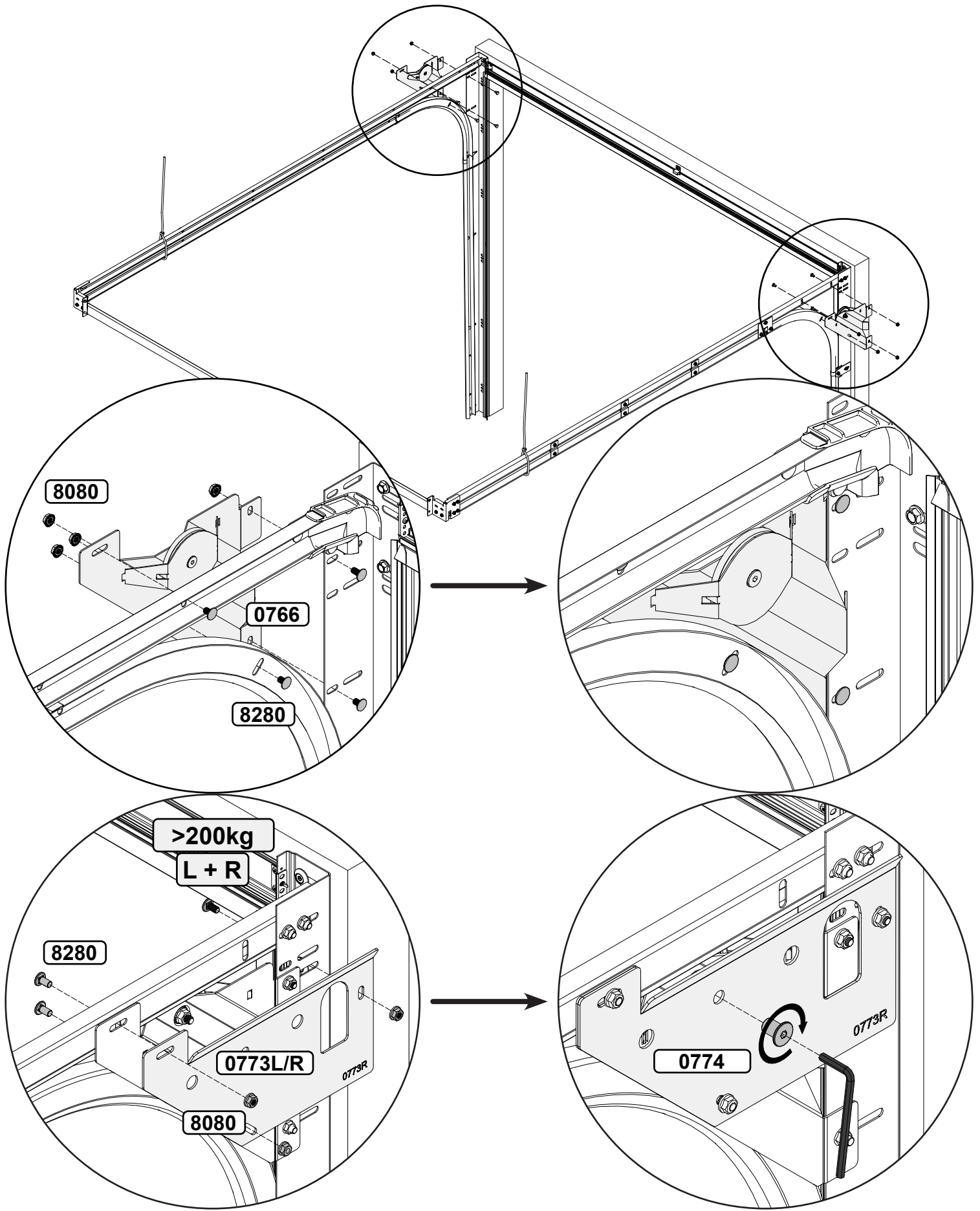


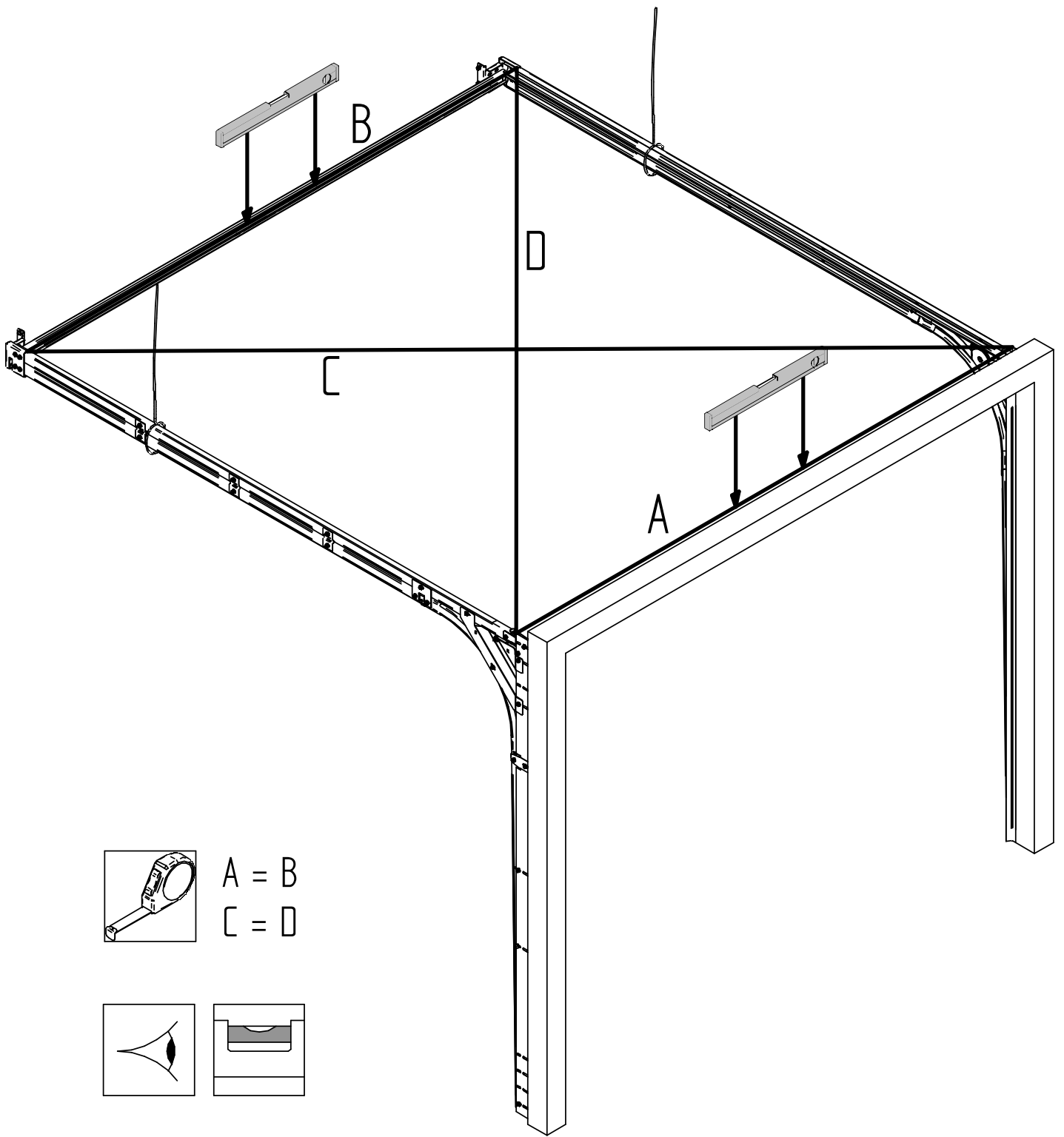
C9959

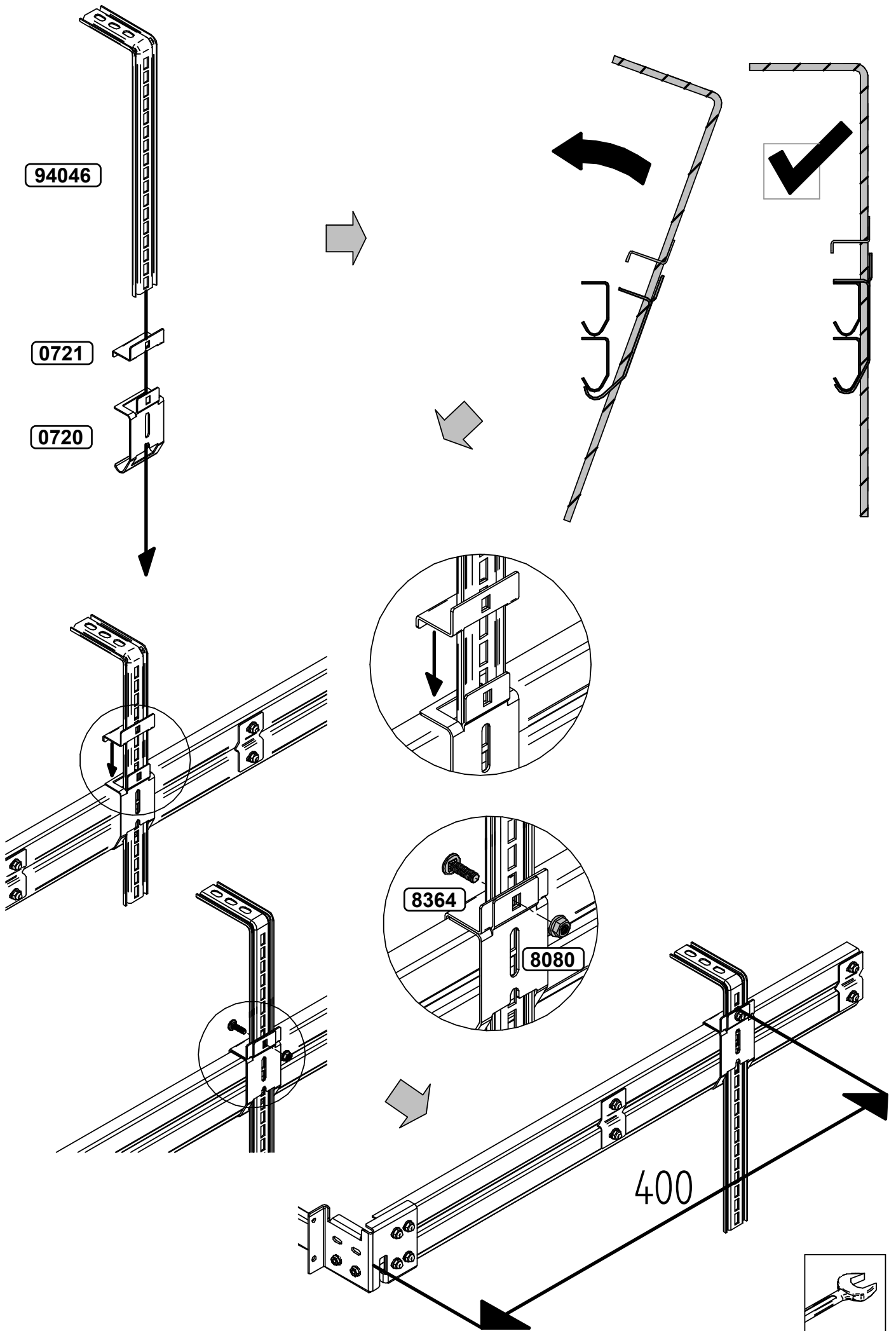


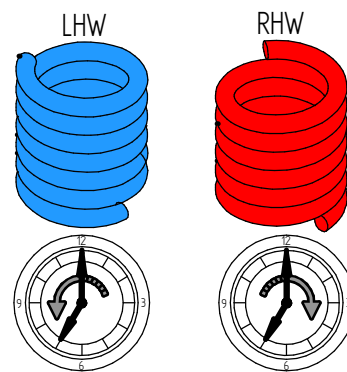
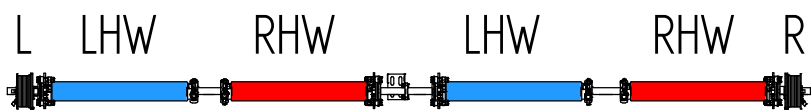
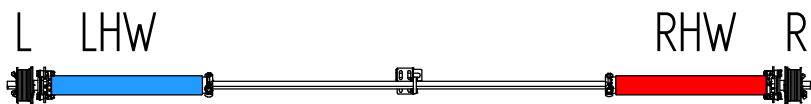




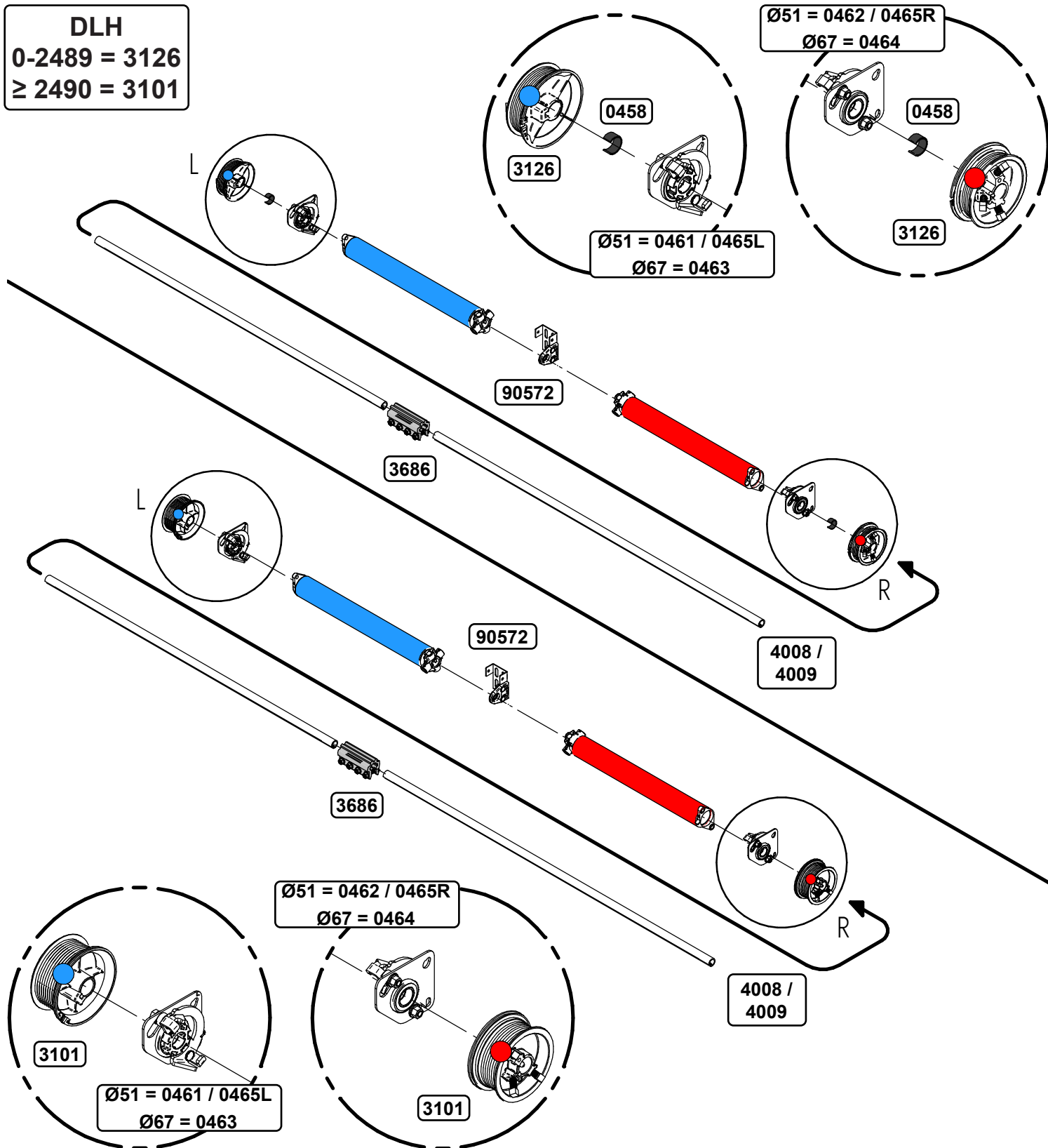


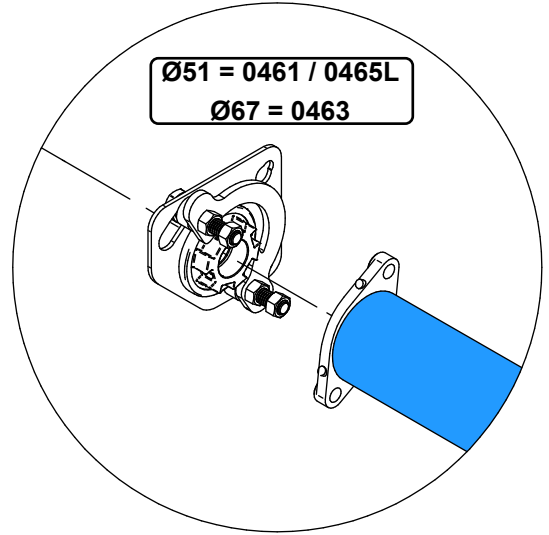
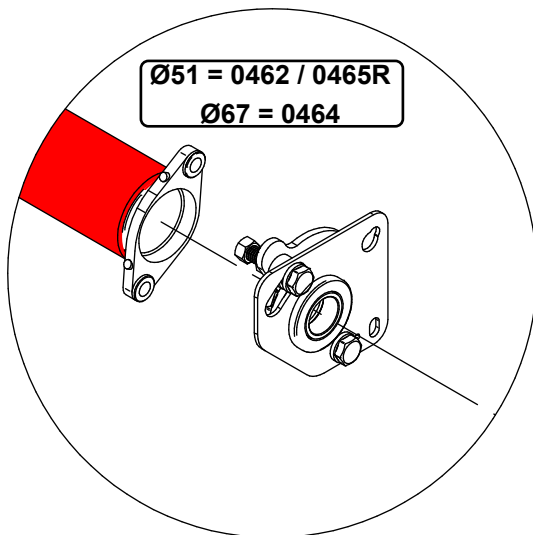
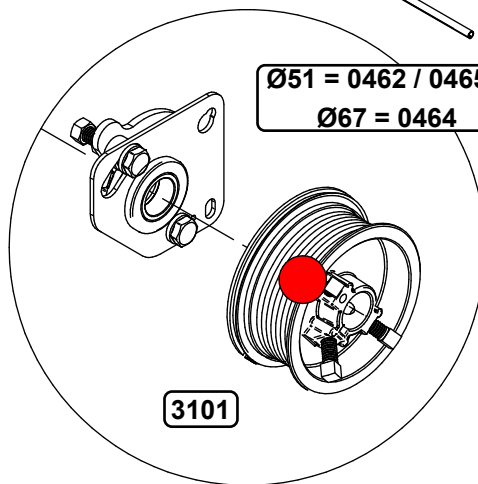
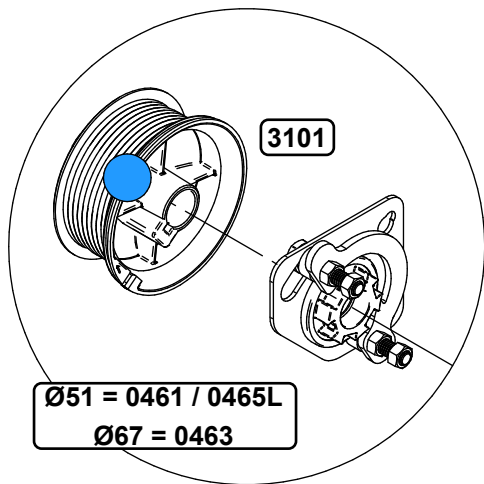
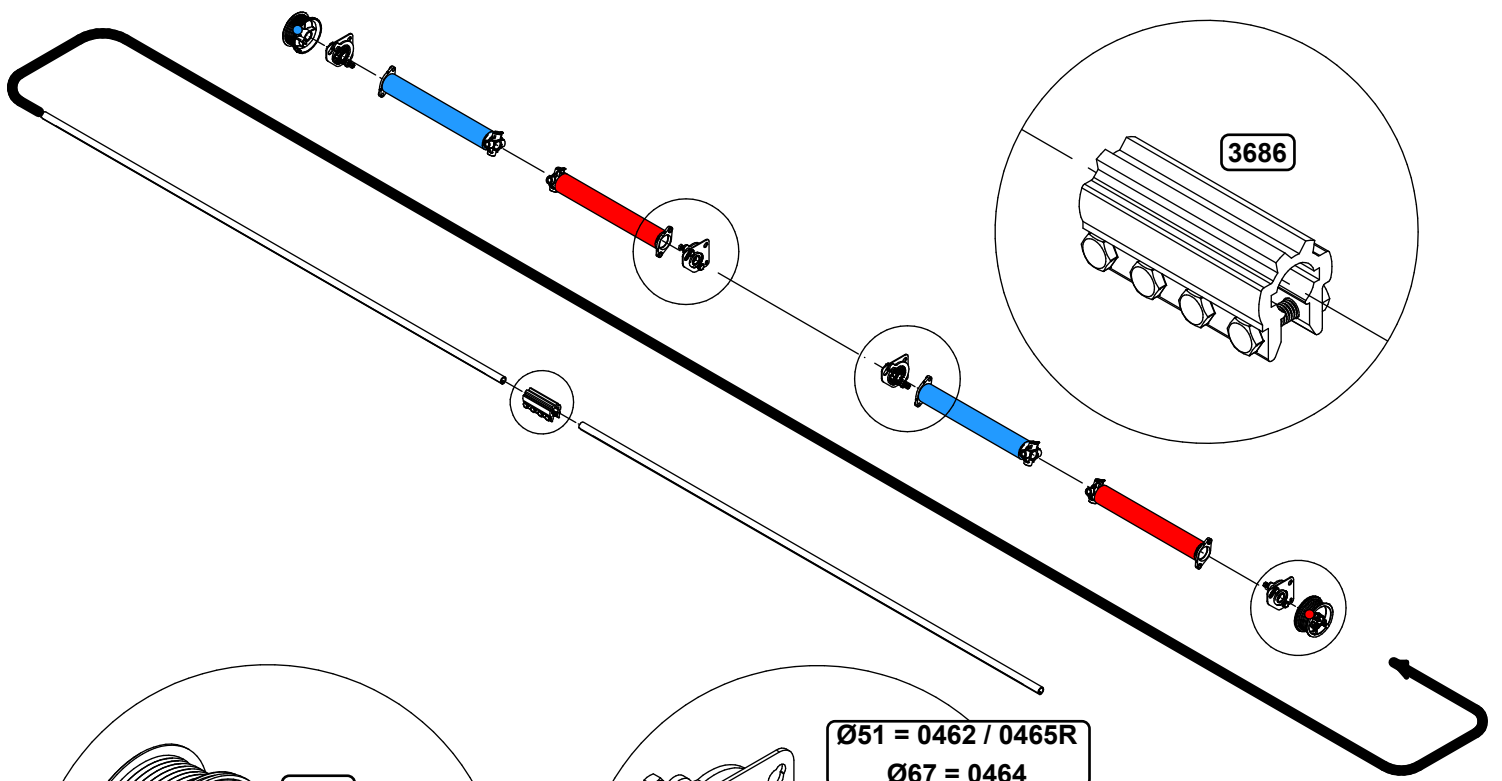


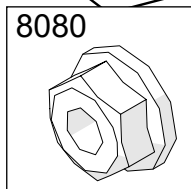
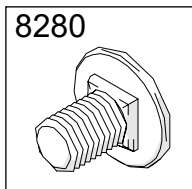
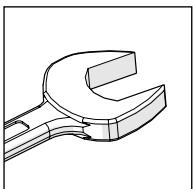
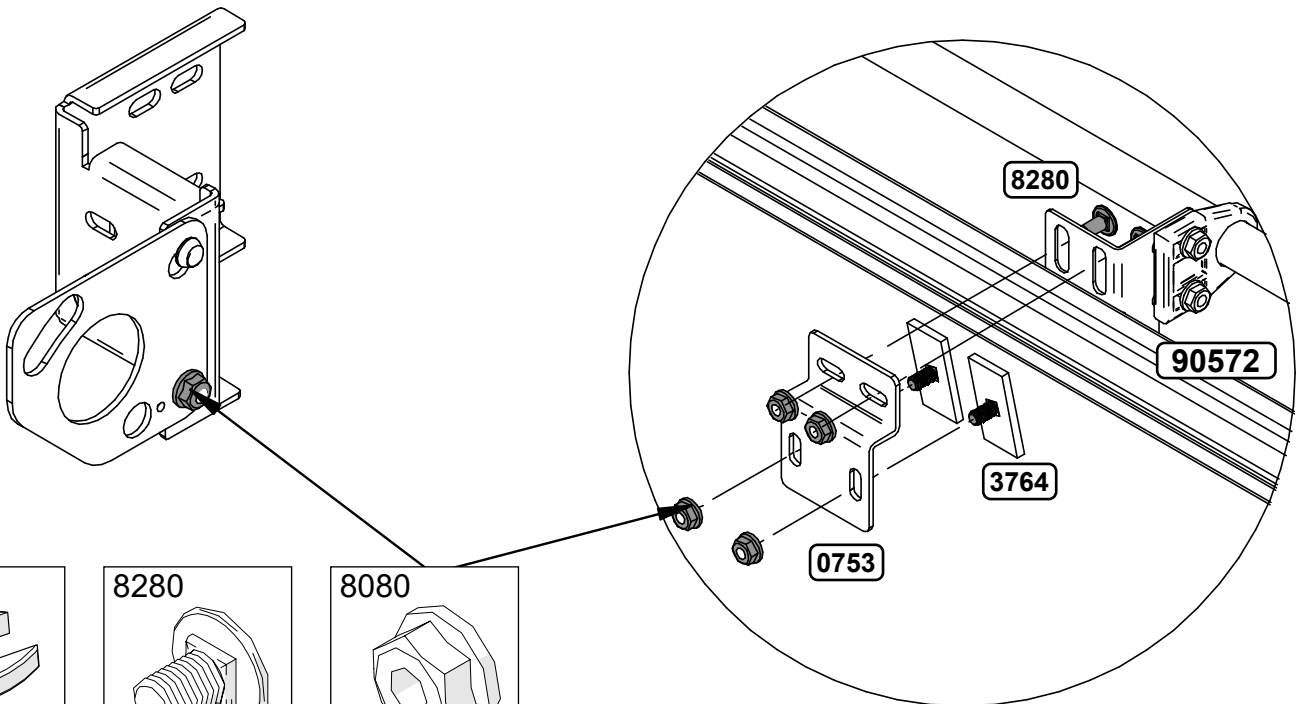
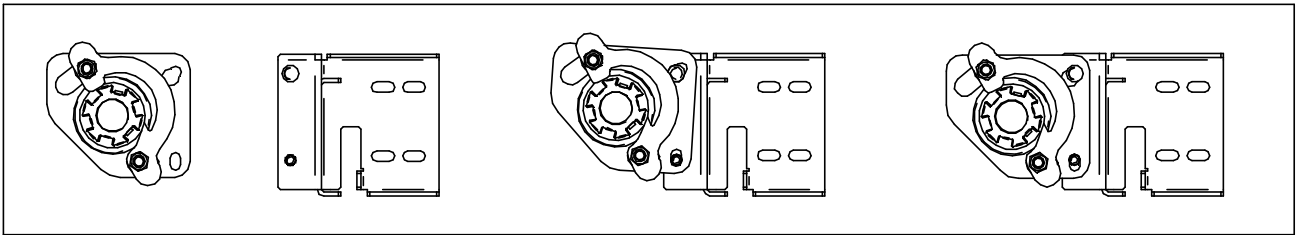
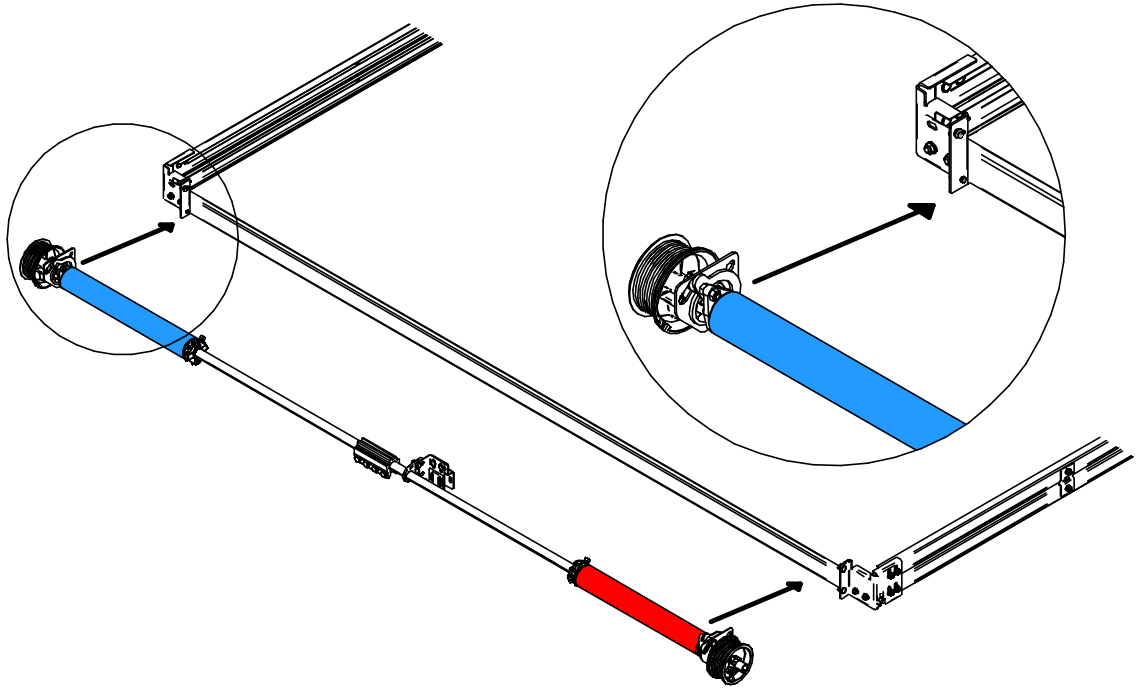
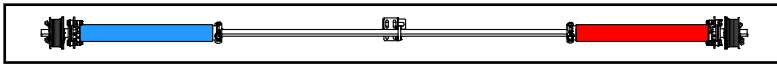


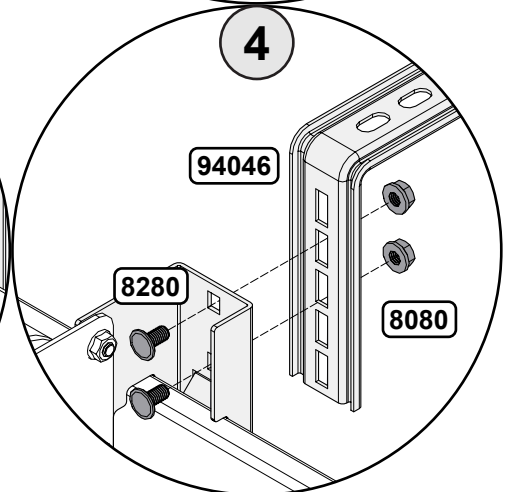
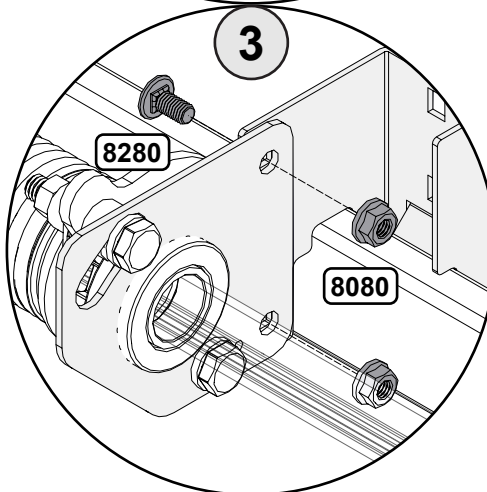
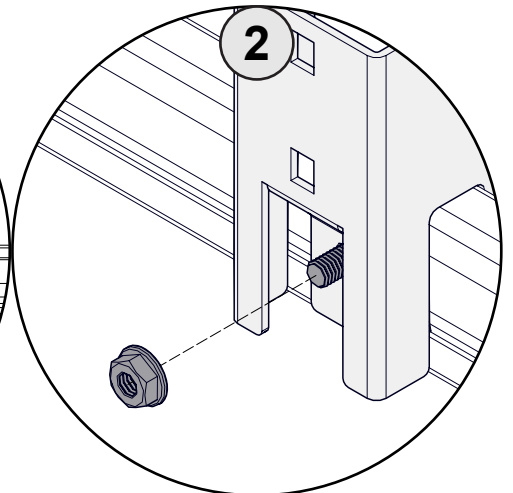
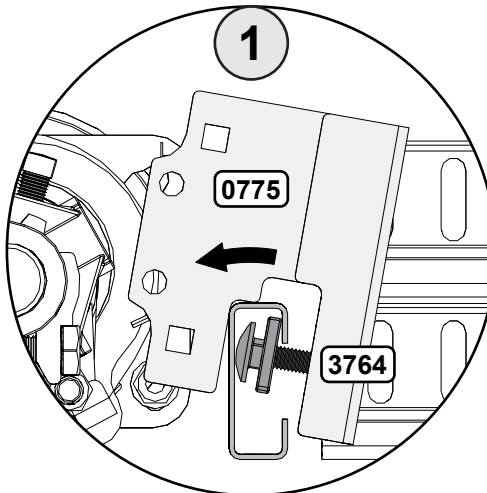
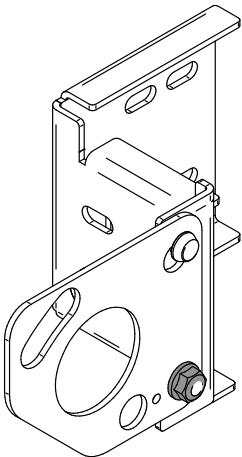
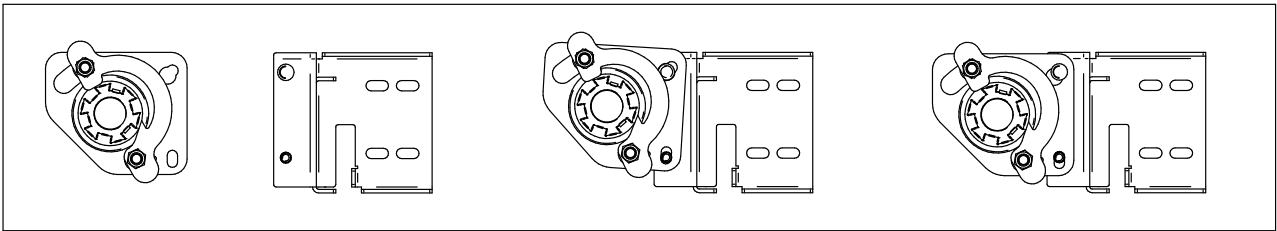
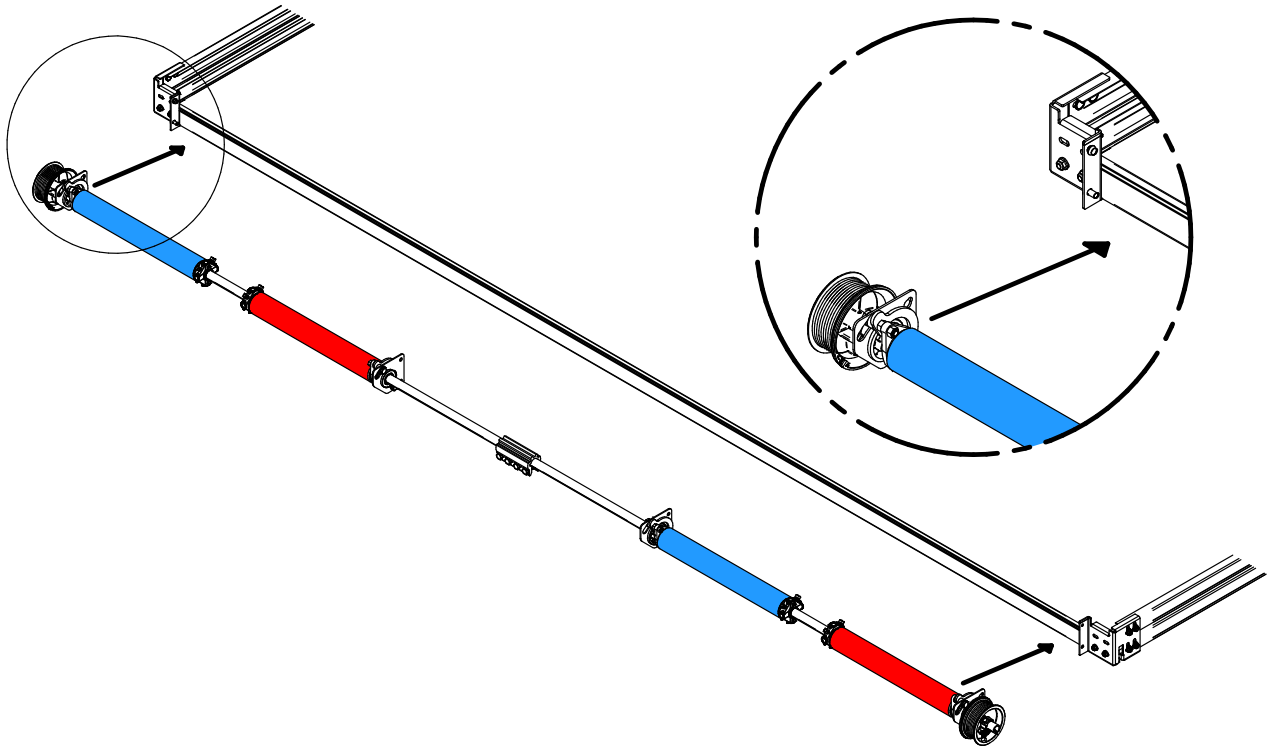
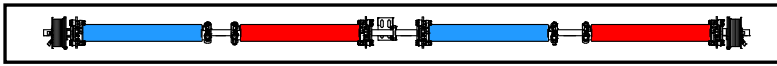


**DLH**  
 0-2489 = 3126  
 ≥ 2490 = 3101

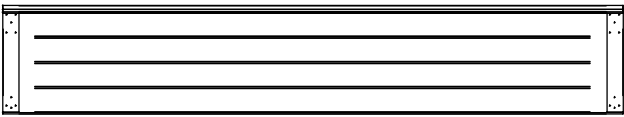








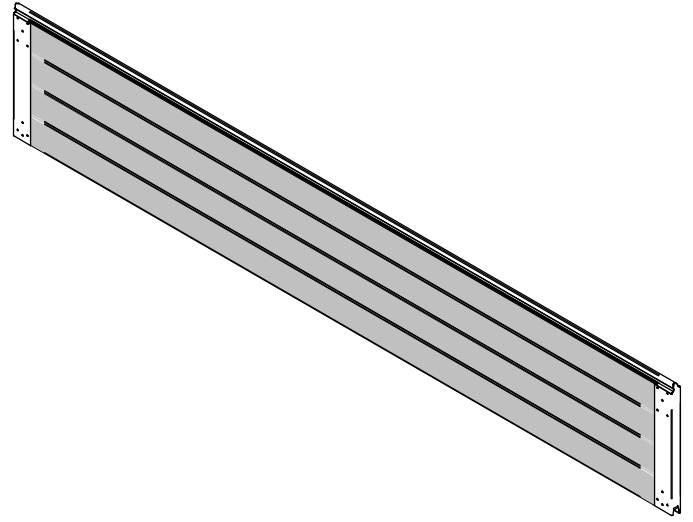
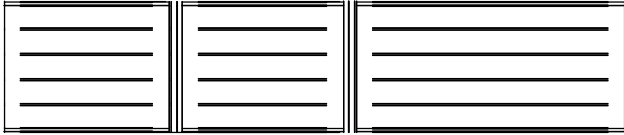
1



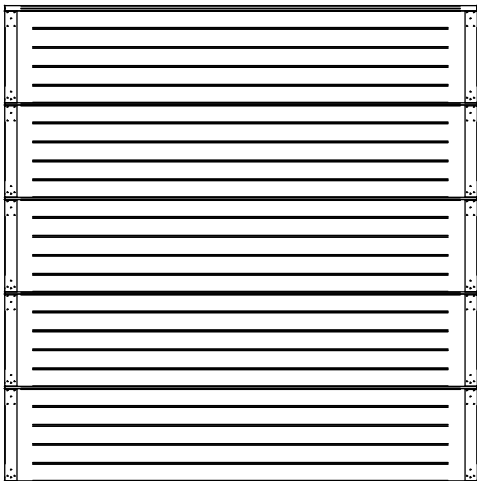
2



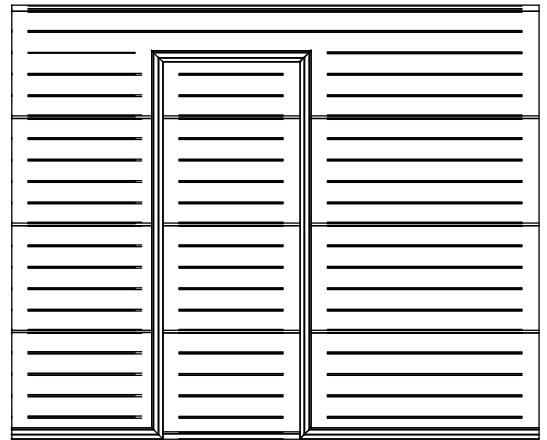
3



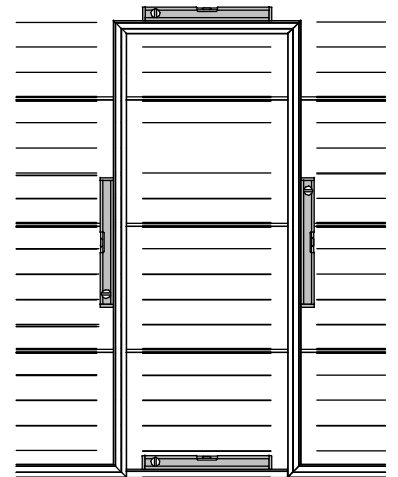
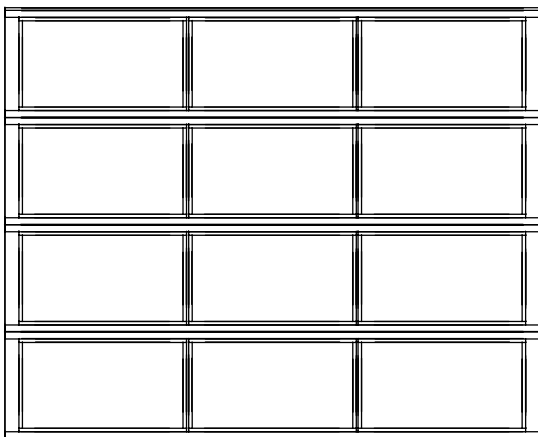
1



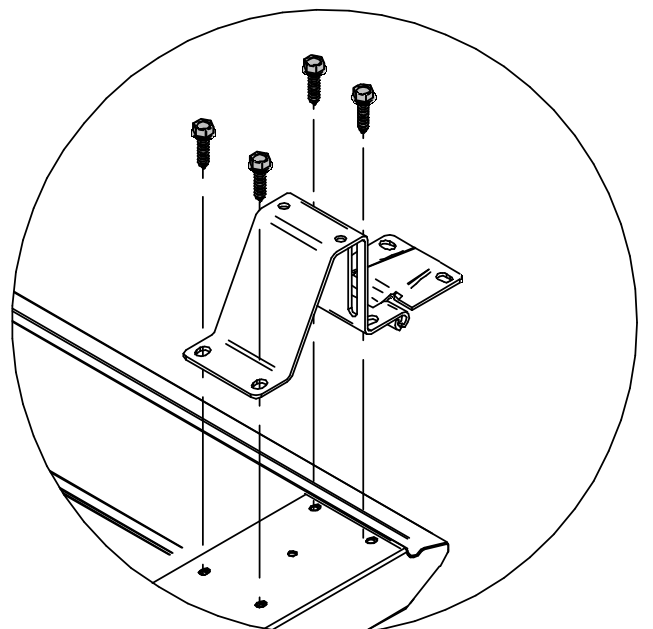
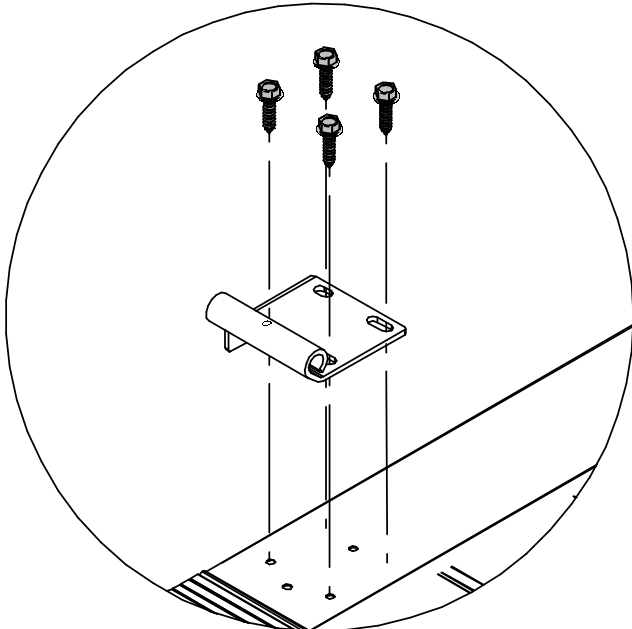
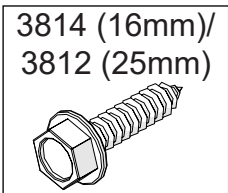
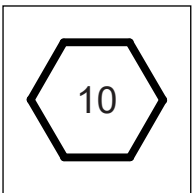
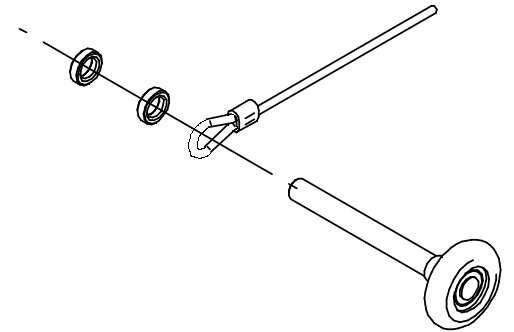
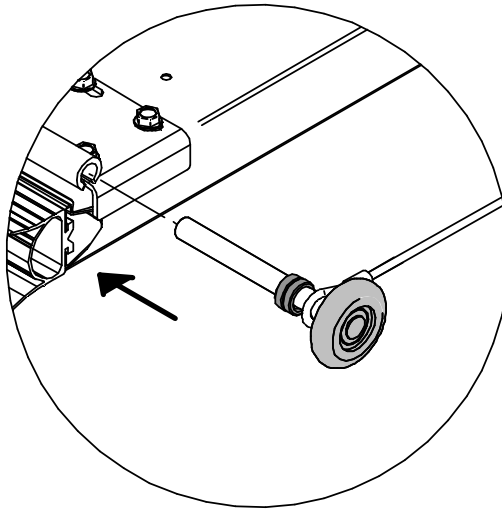
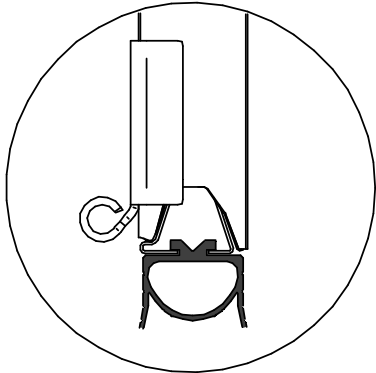
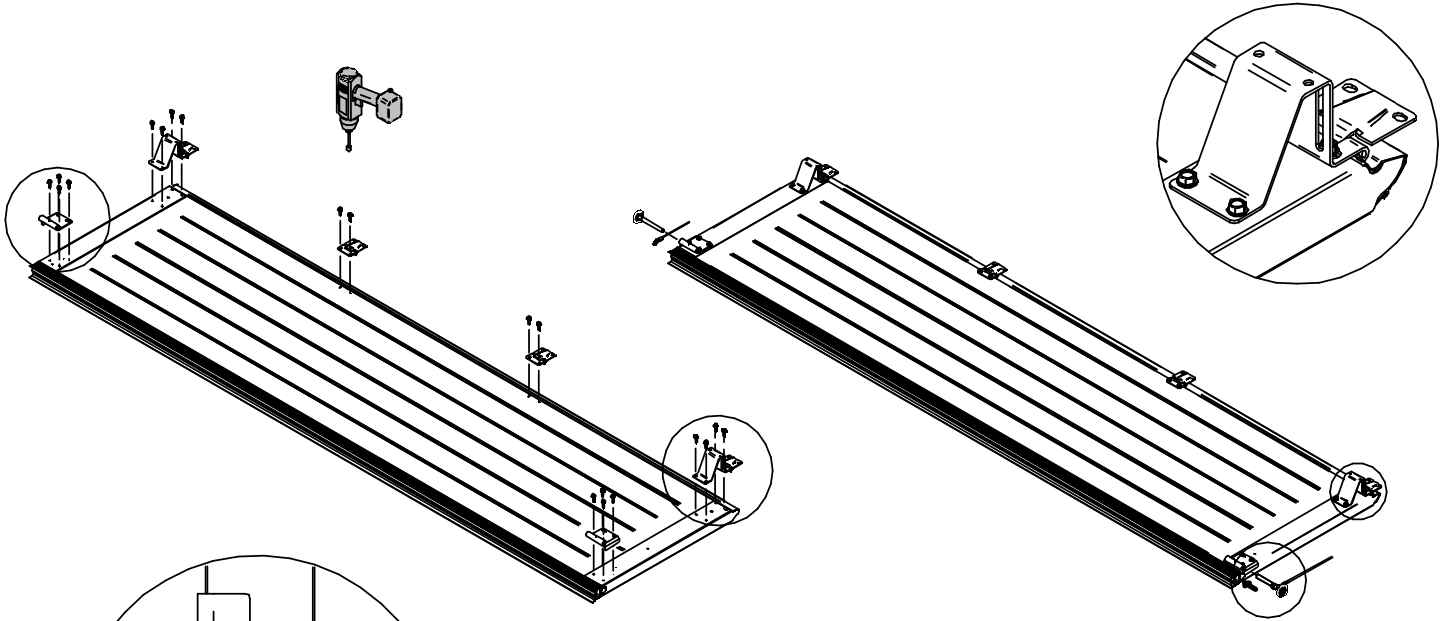
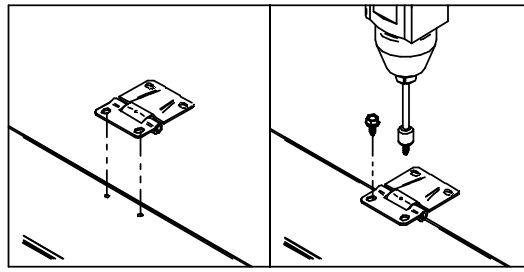
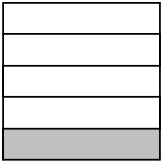
3



2

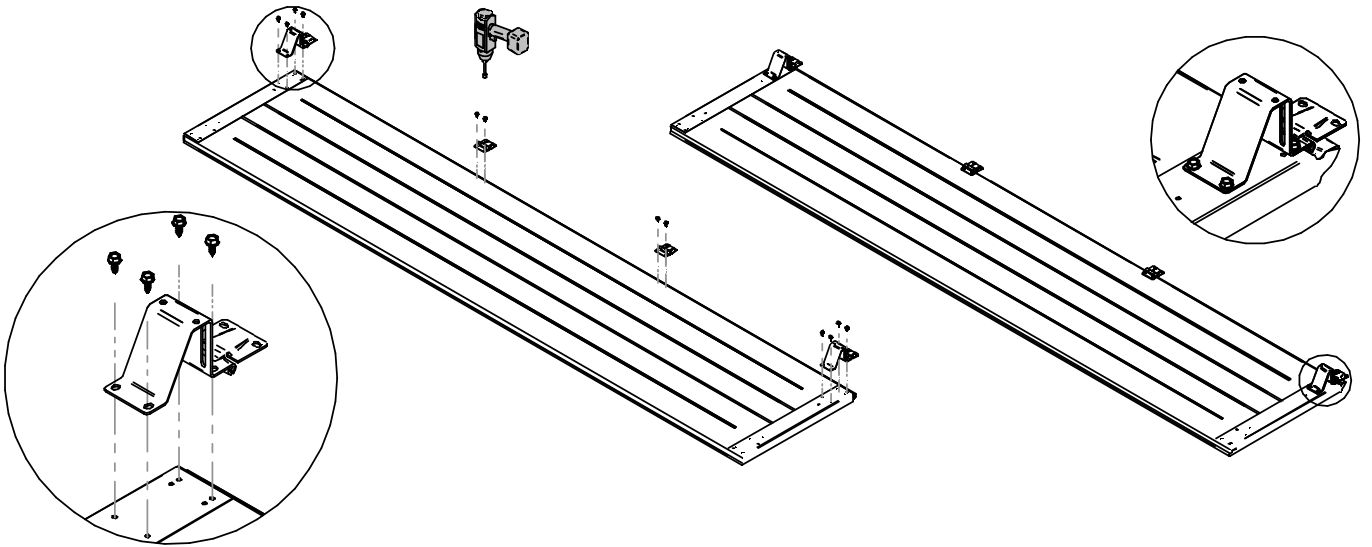
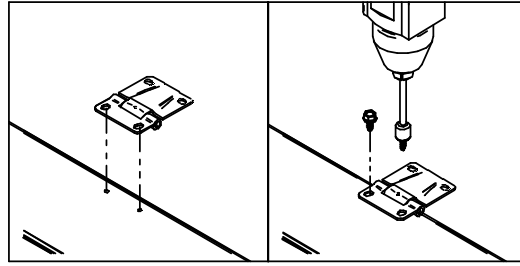




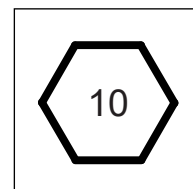
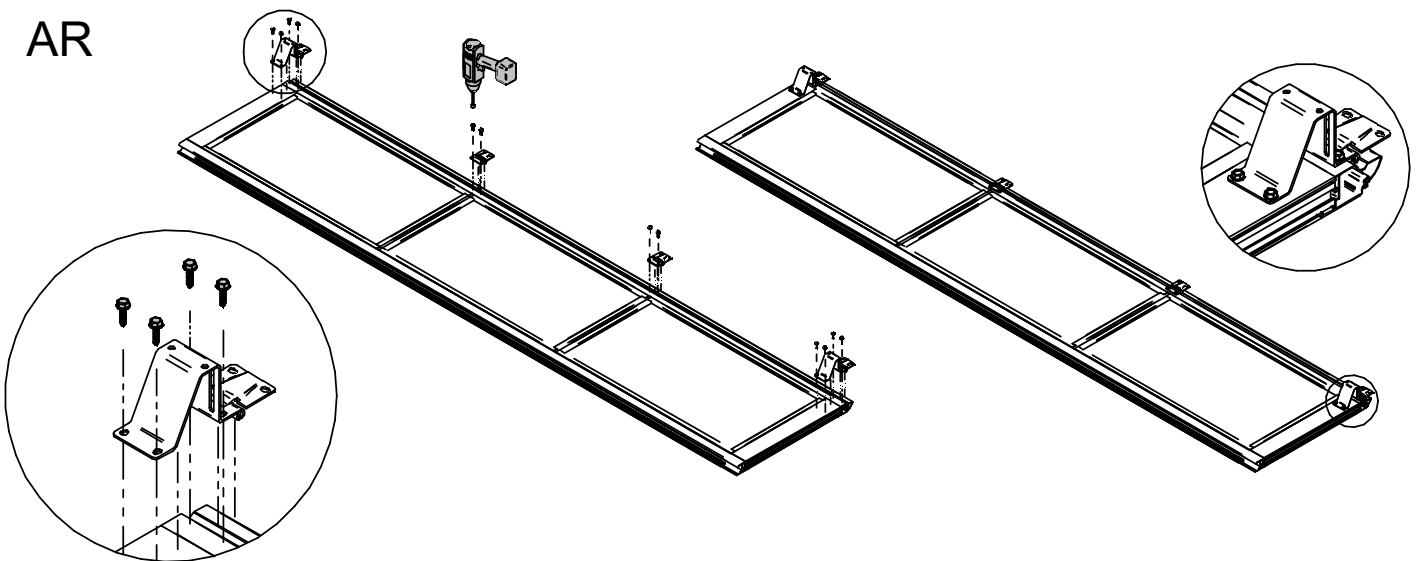




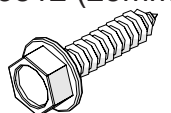
ST

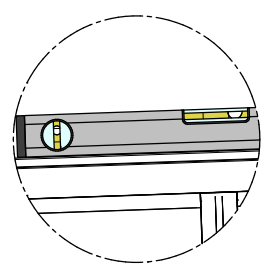
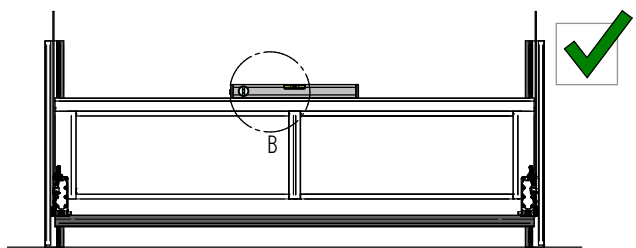
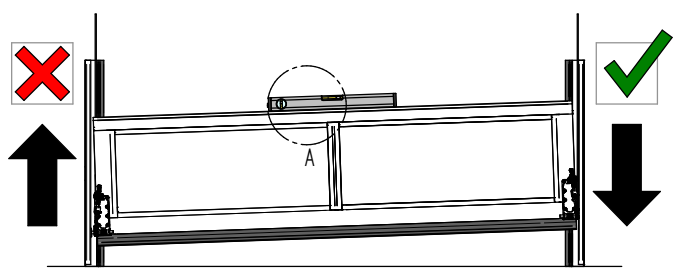
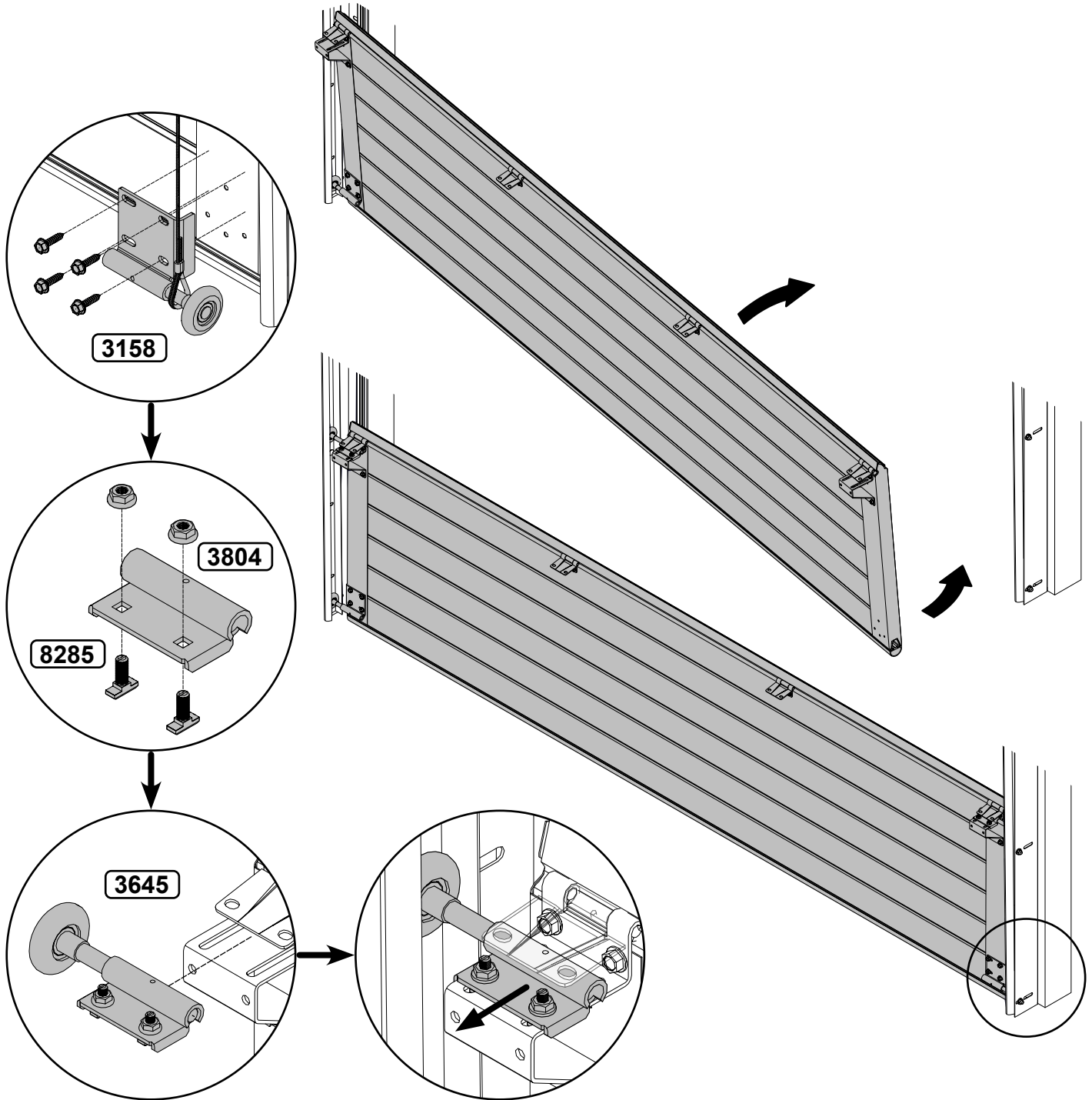


AR

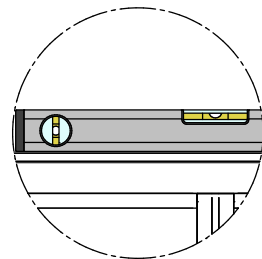


3814 (16mm)/  
3812 (25mm)

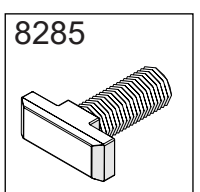
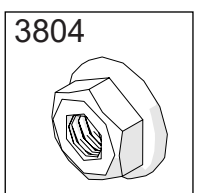


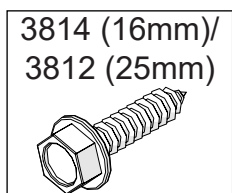
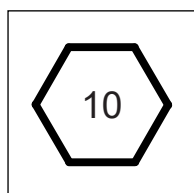
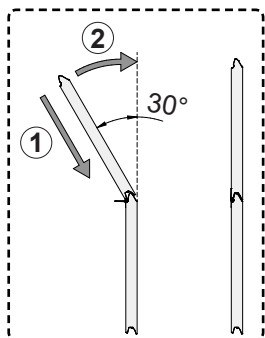
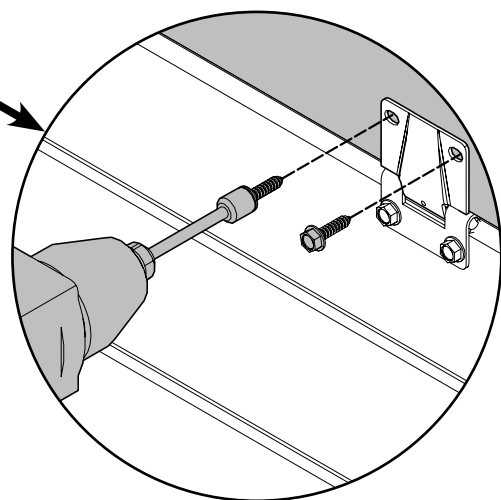
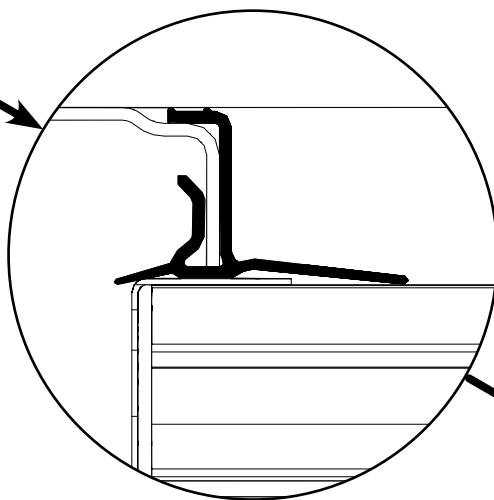
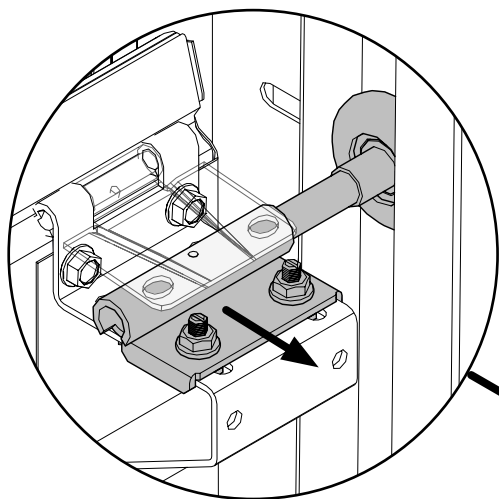
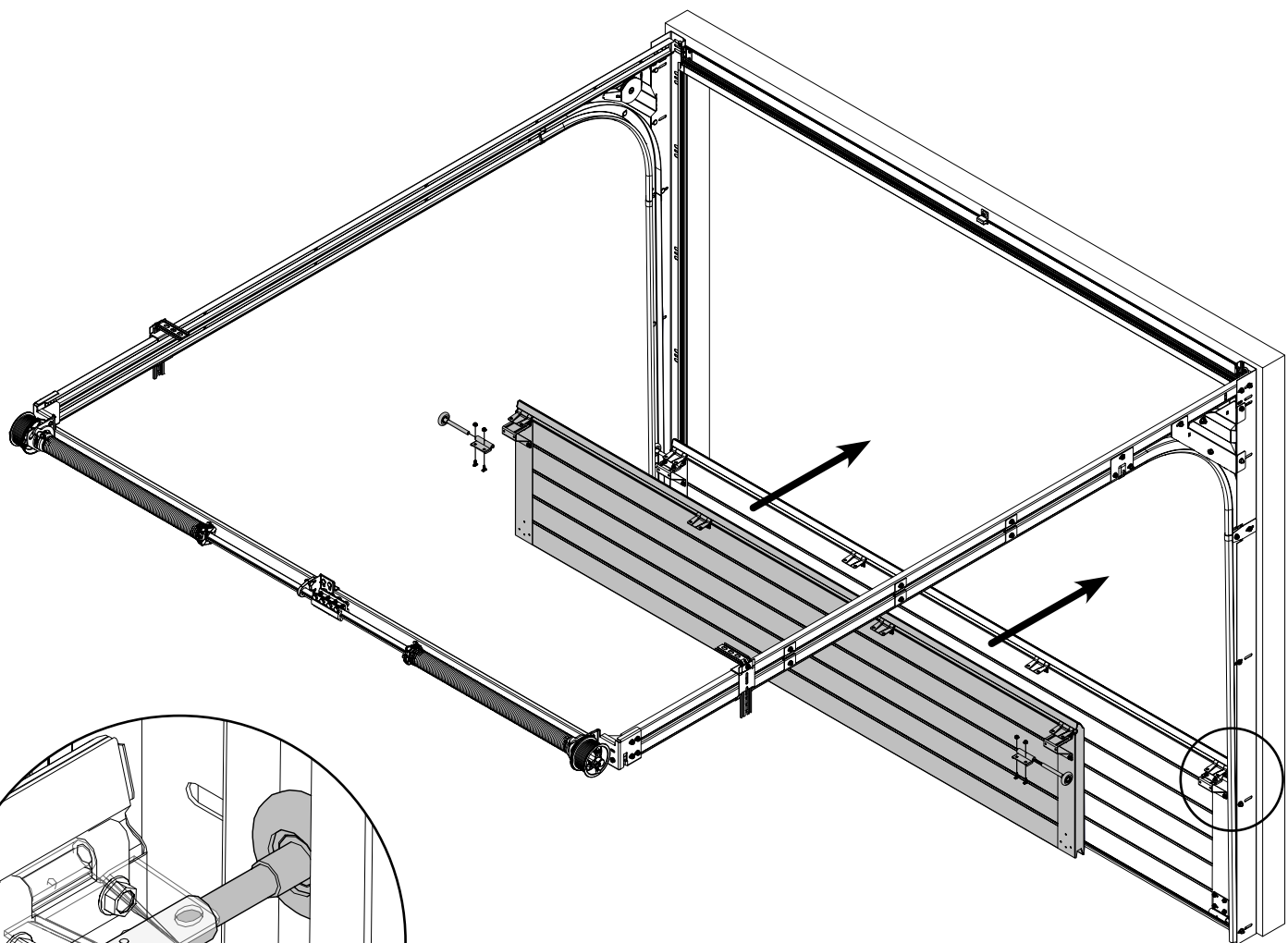


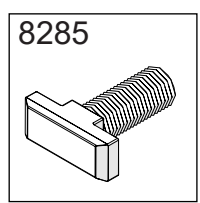
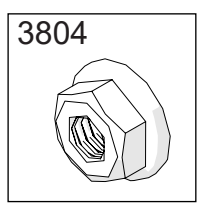
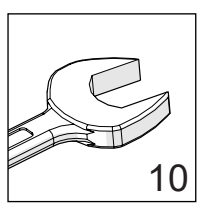
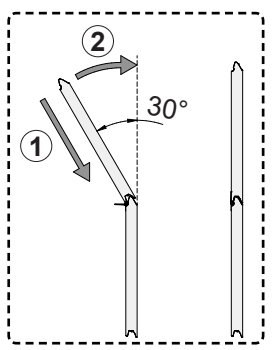
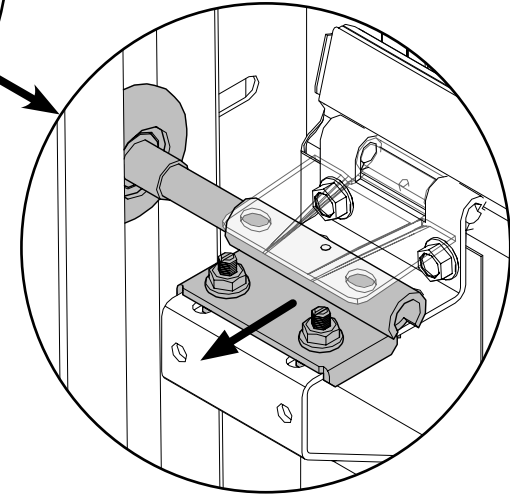
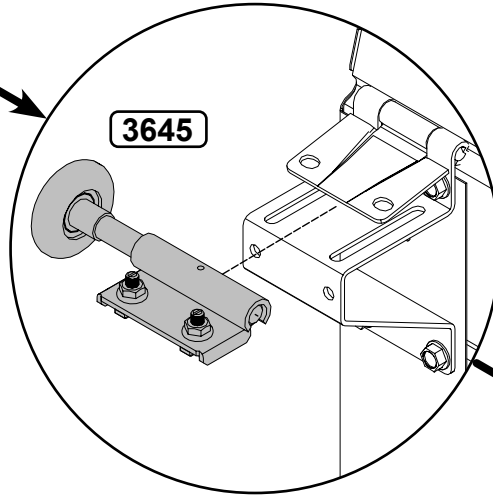
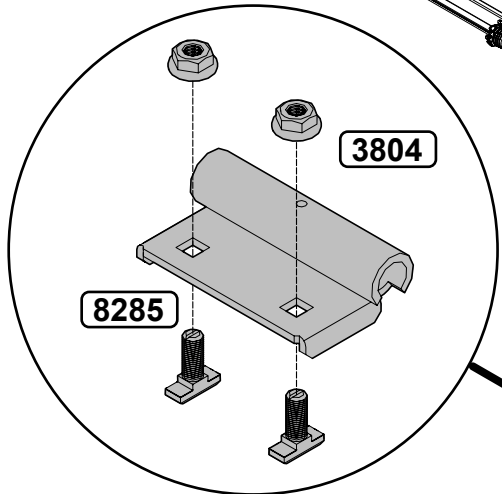
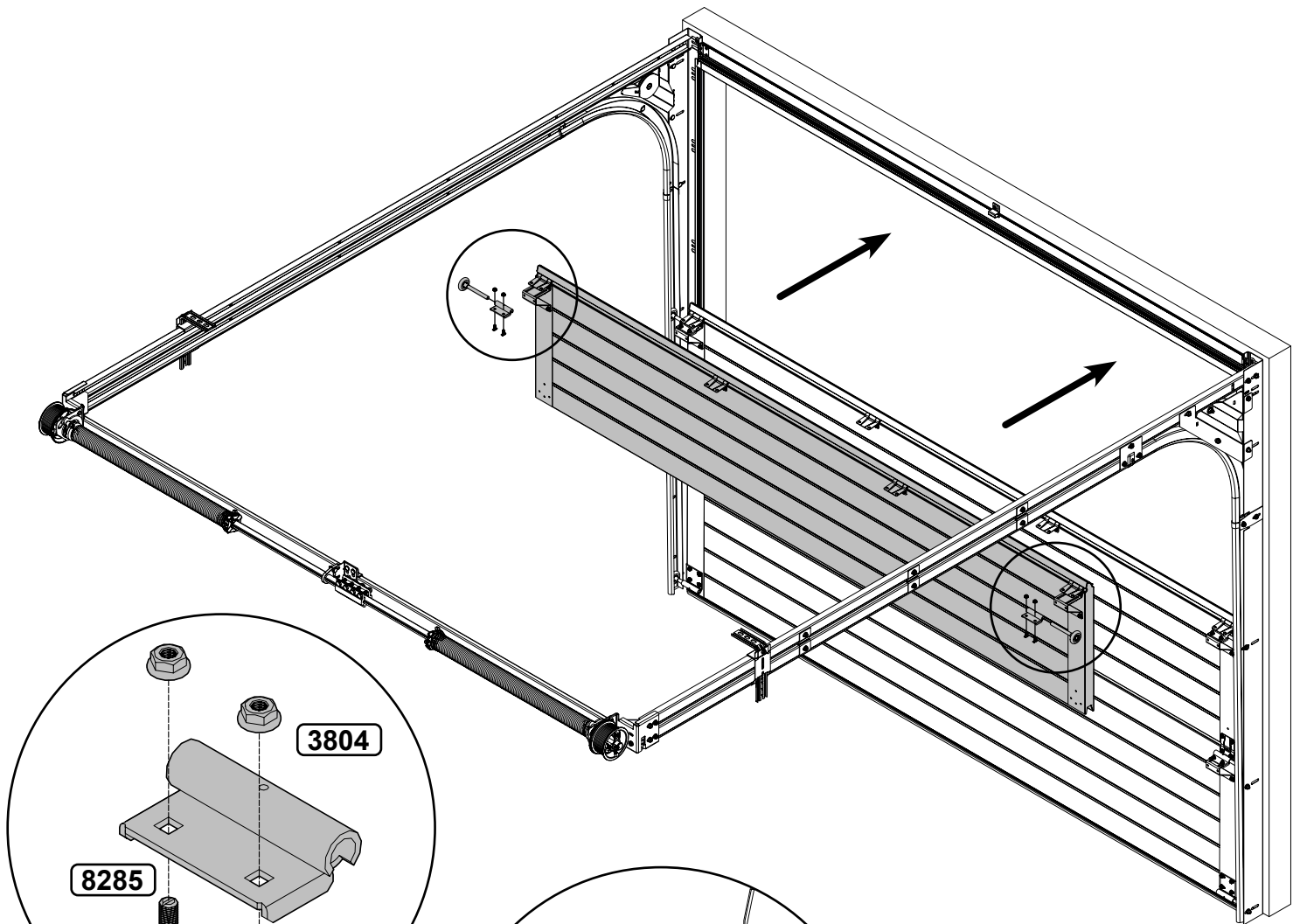
DETAIL A

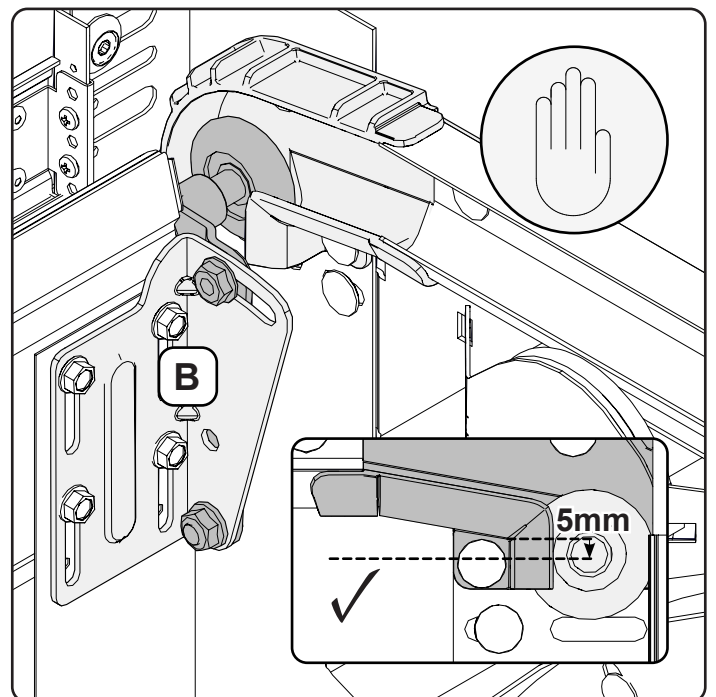
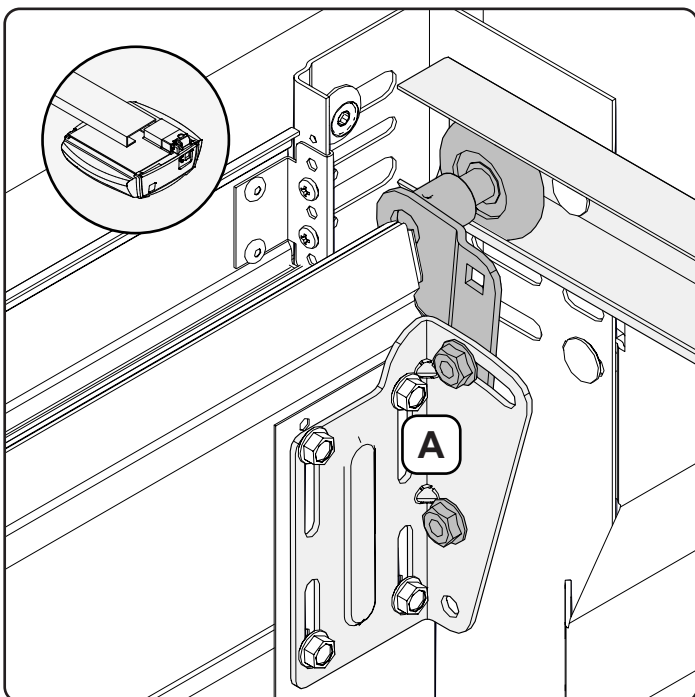
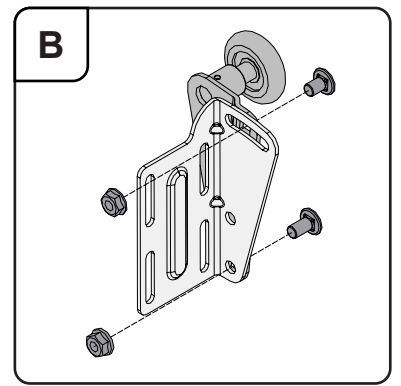
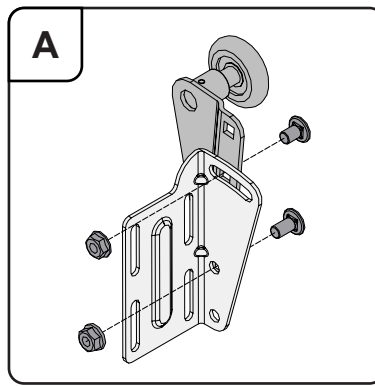
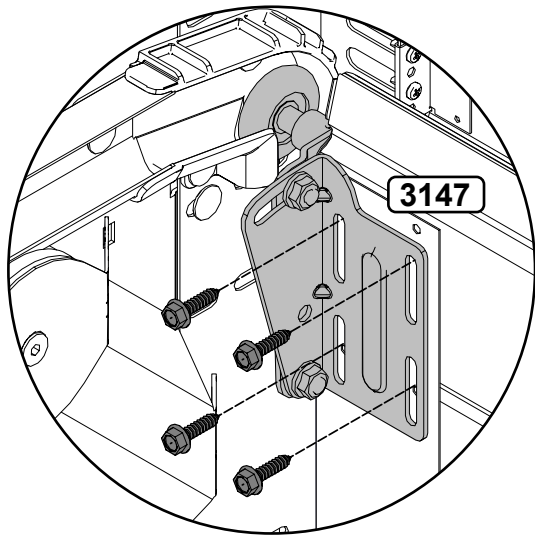
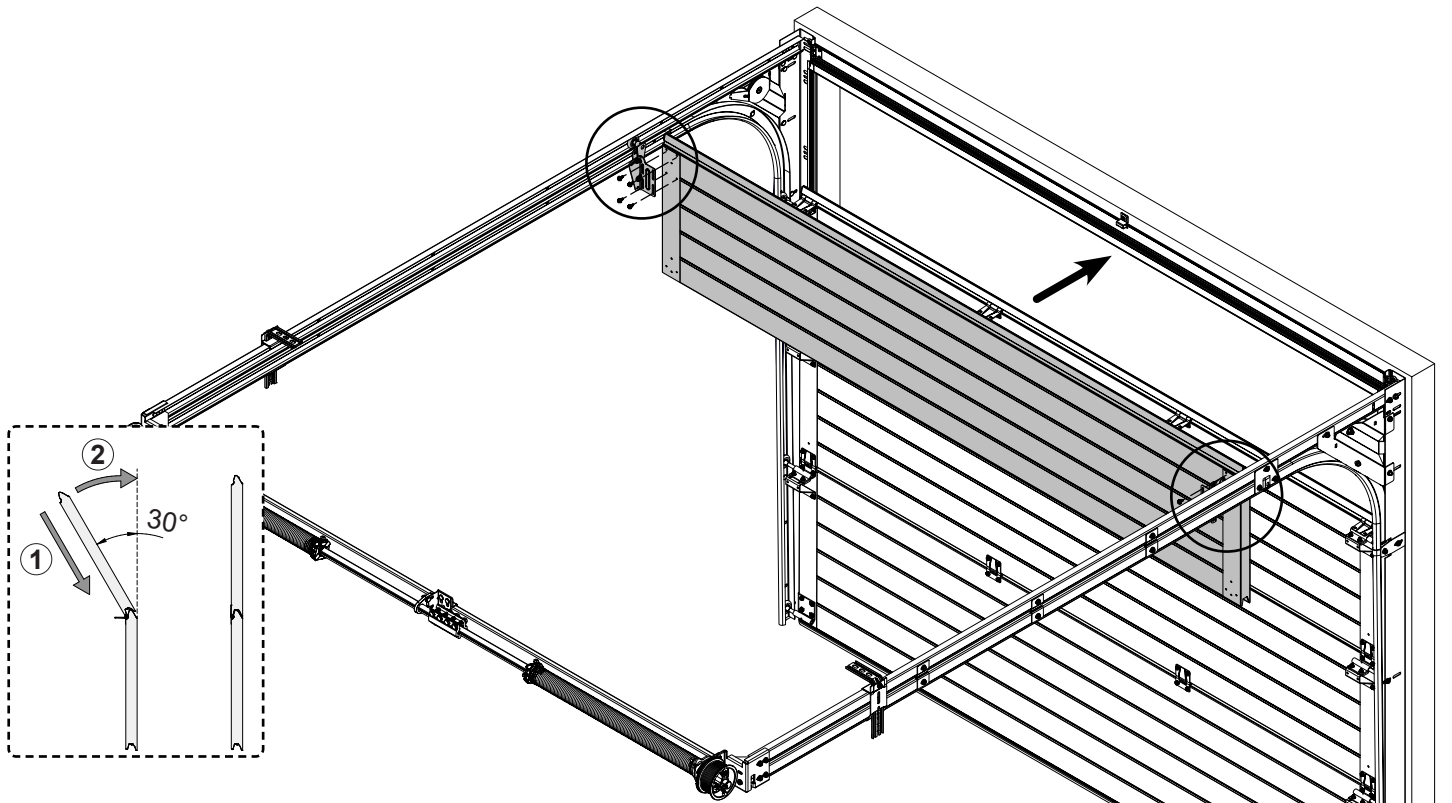


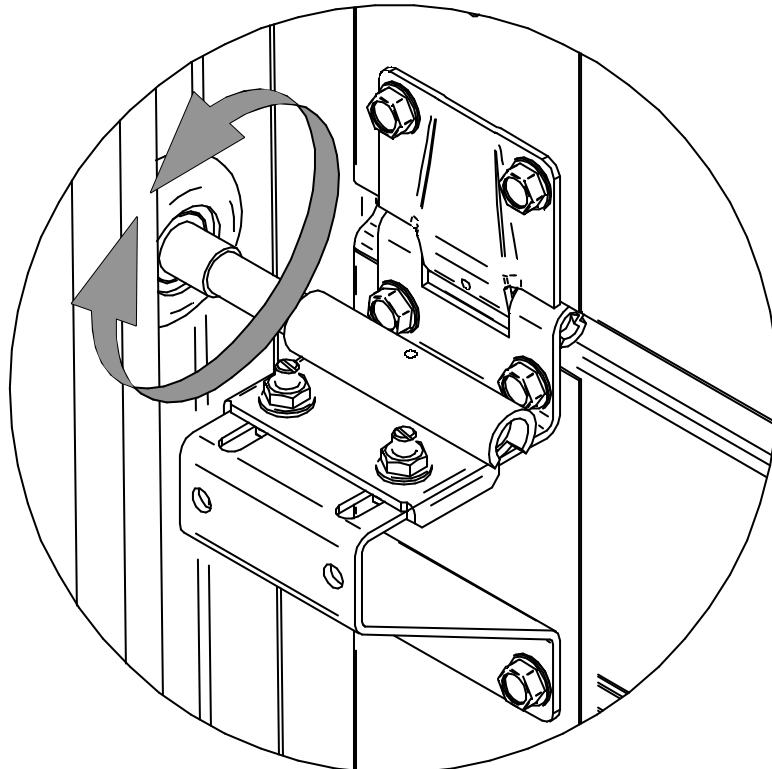
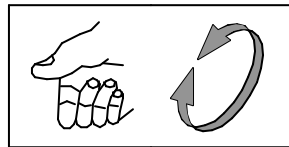
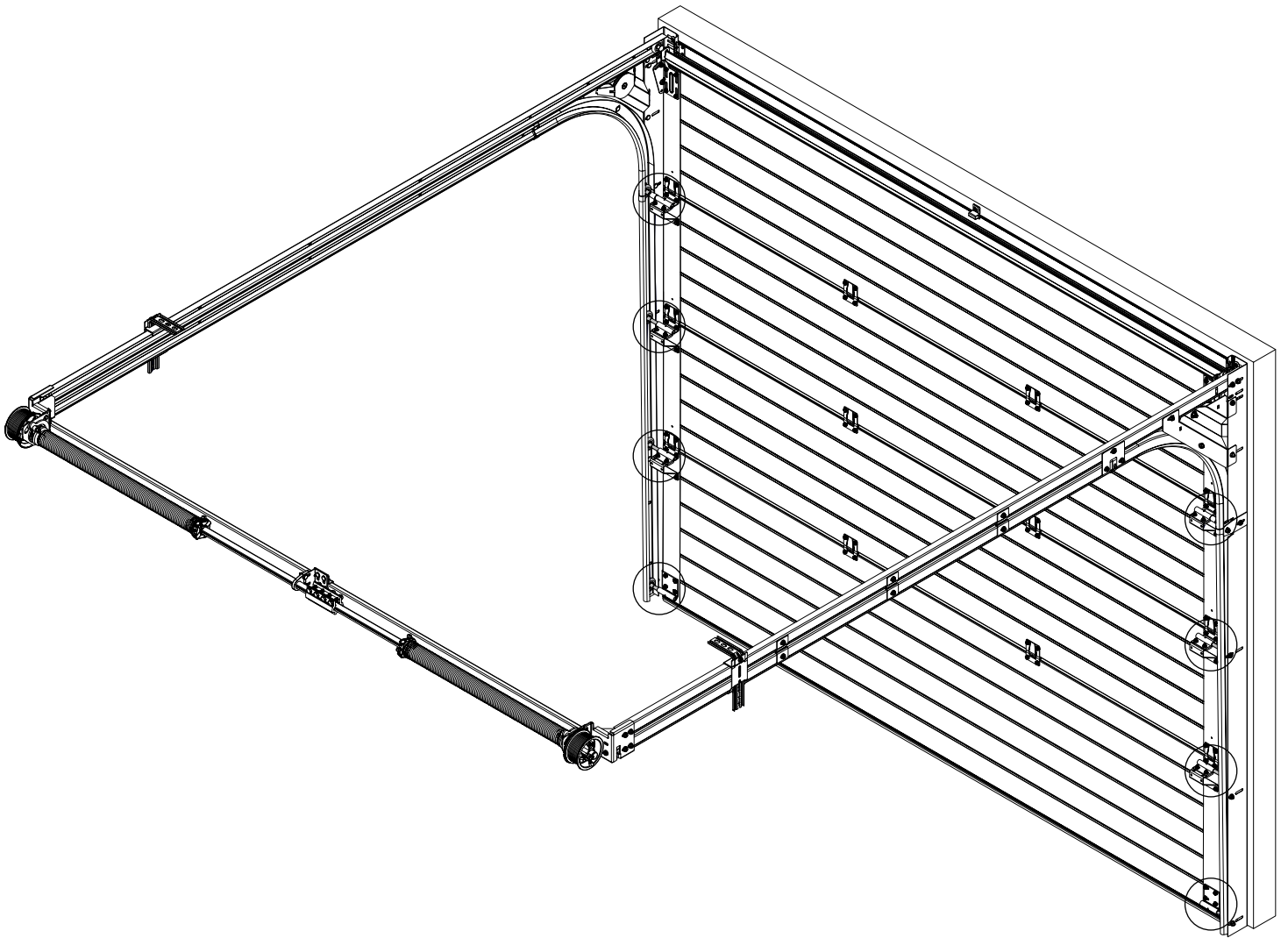
DETAIL B

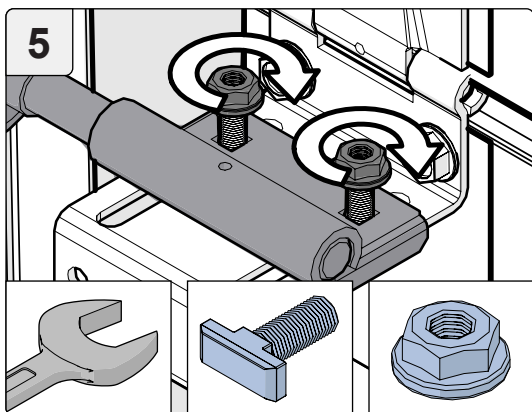
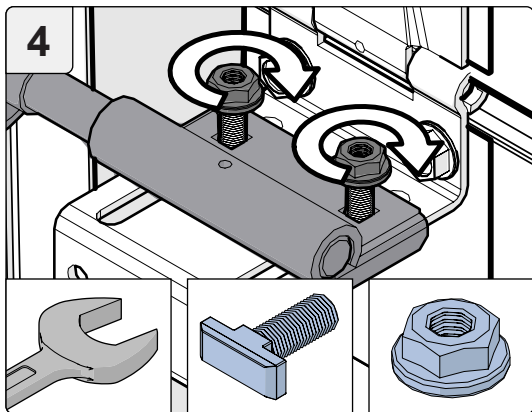
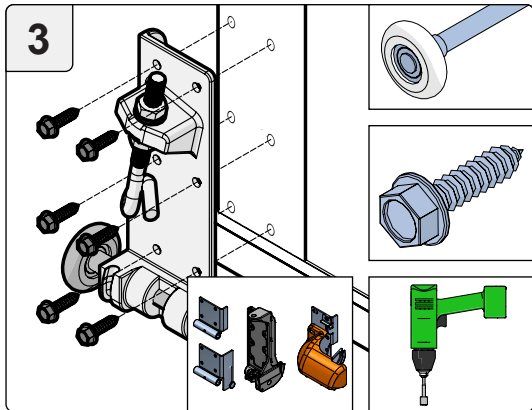
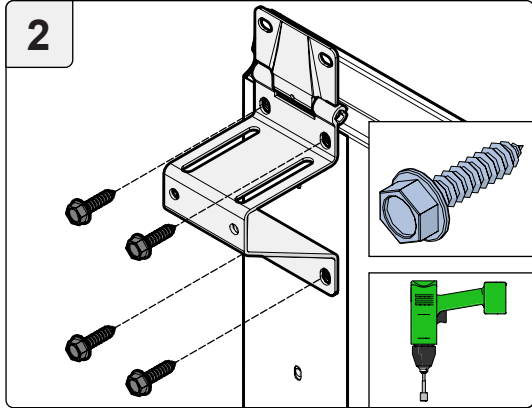
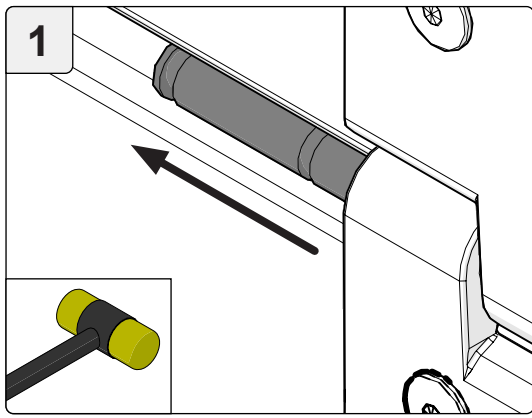




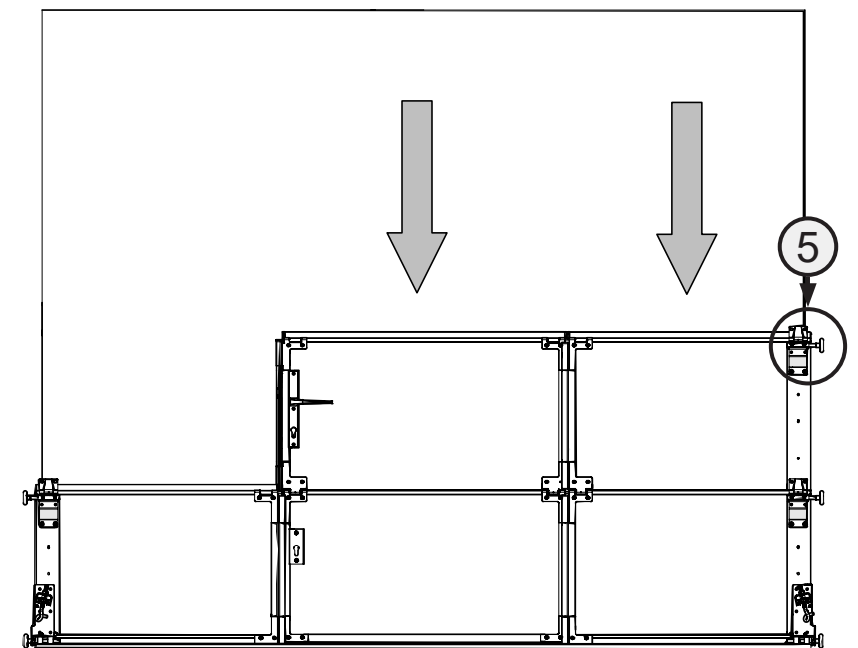
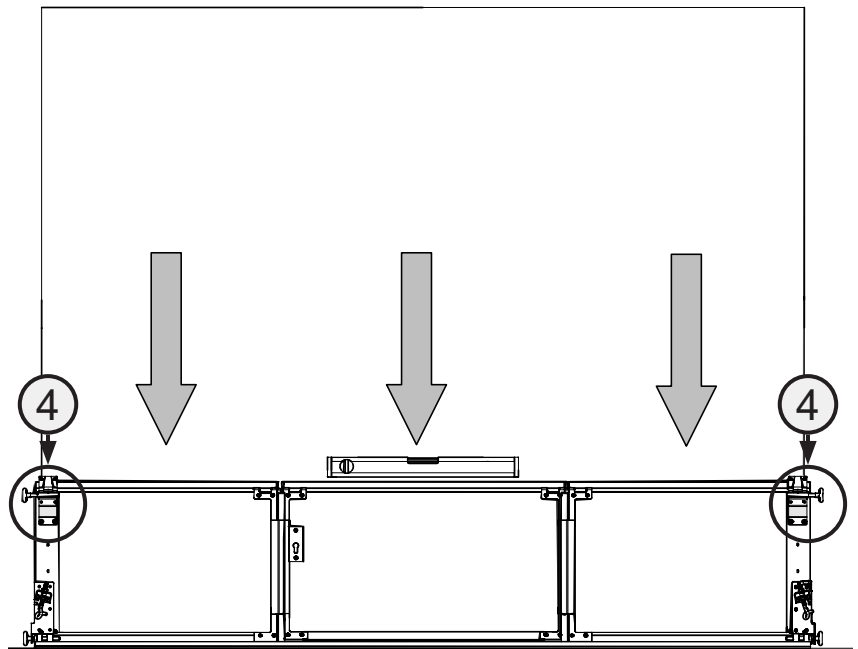
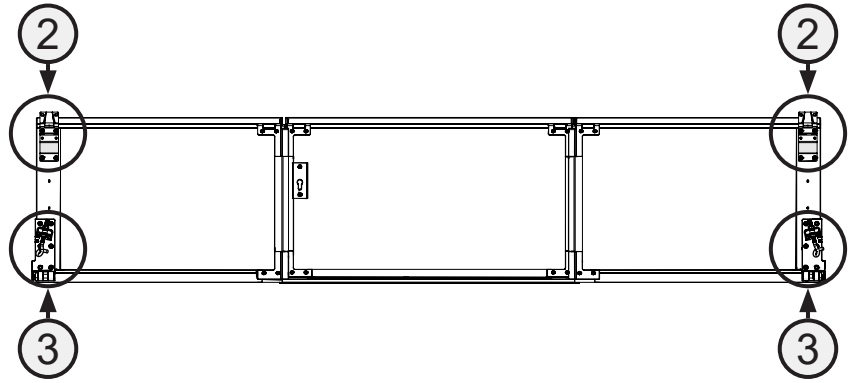




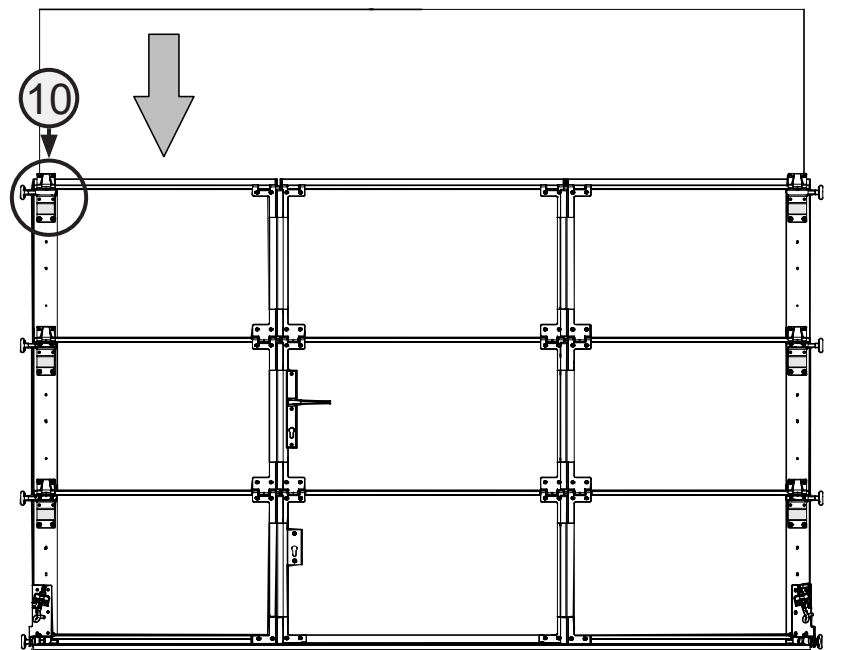
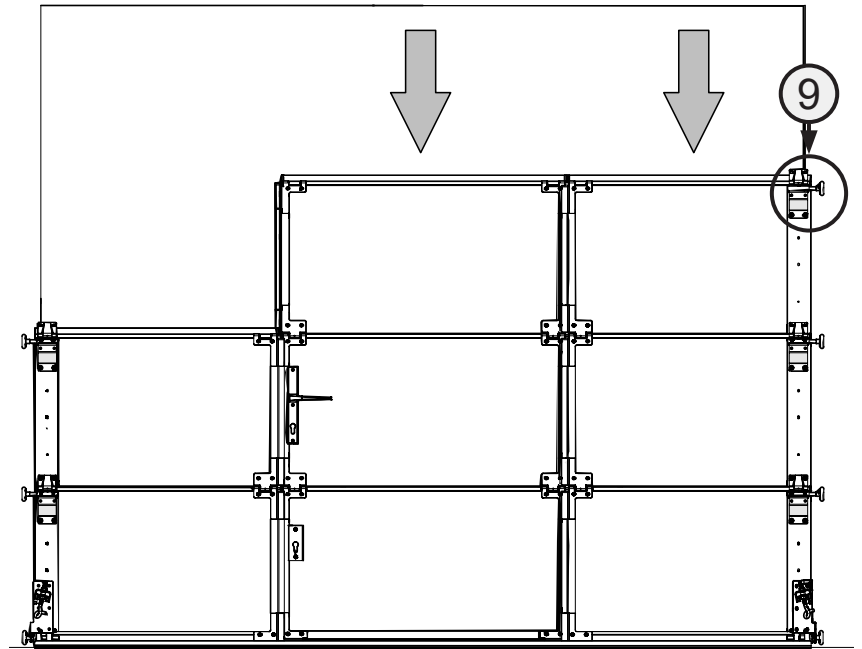
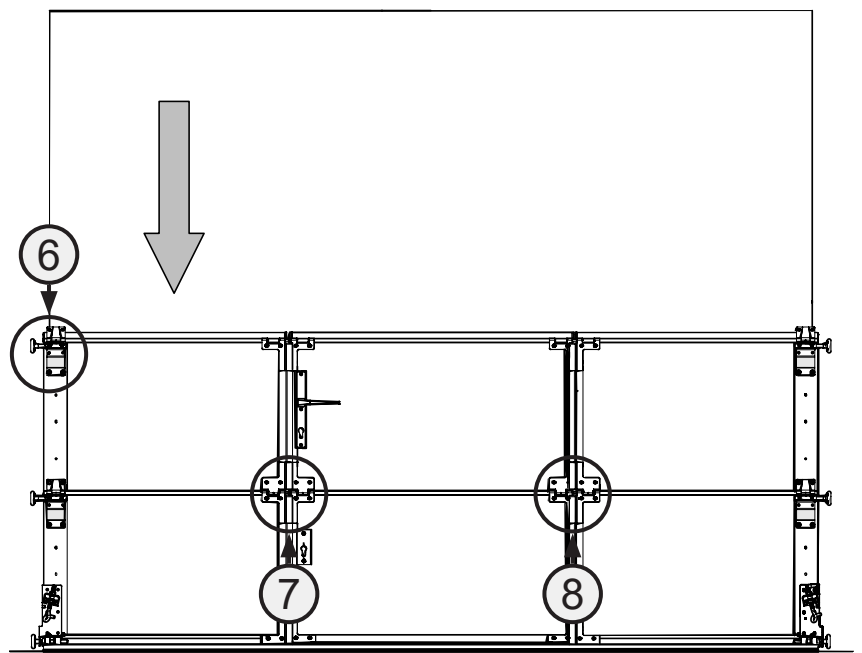
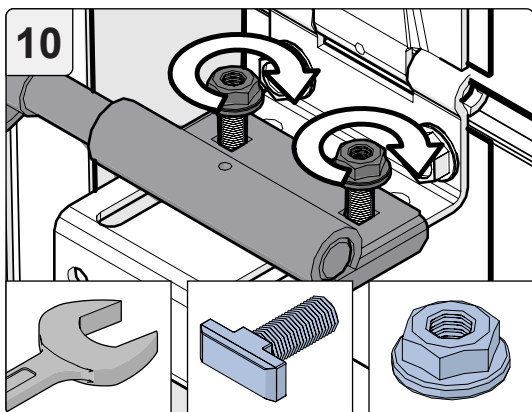
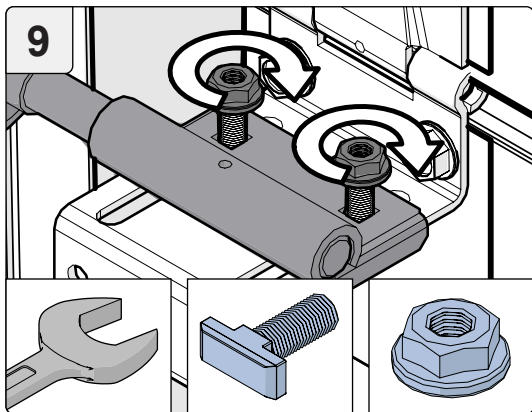
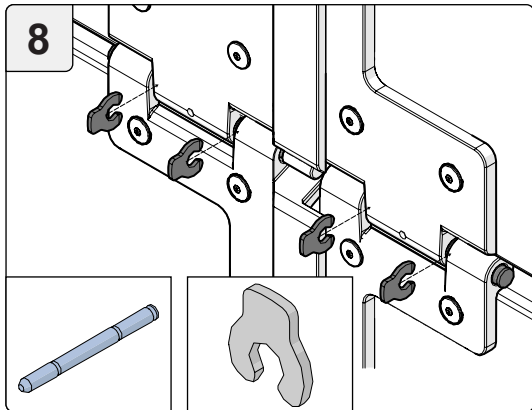
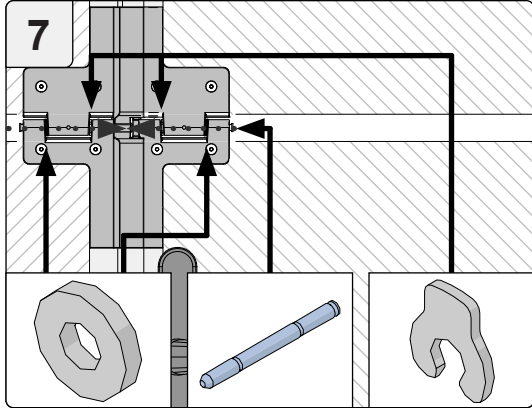
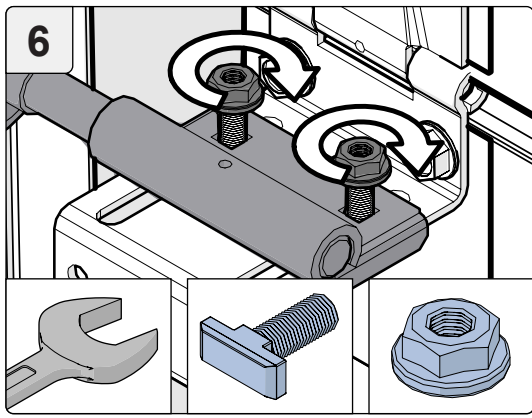


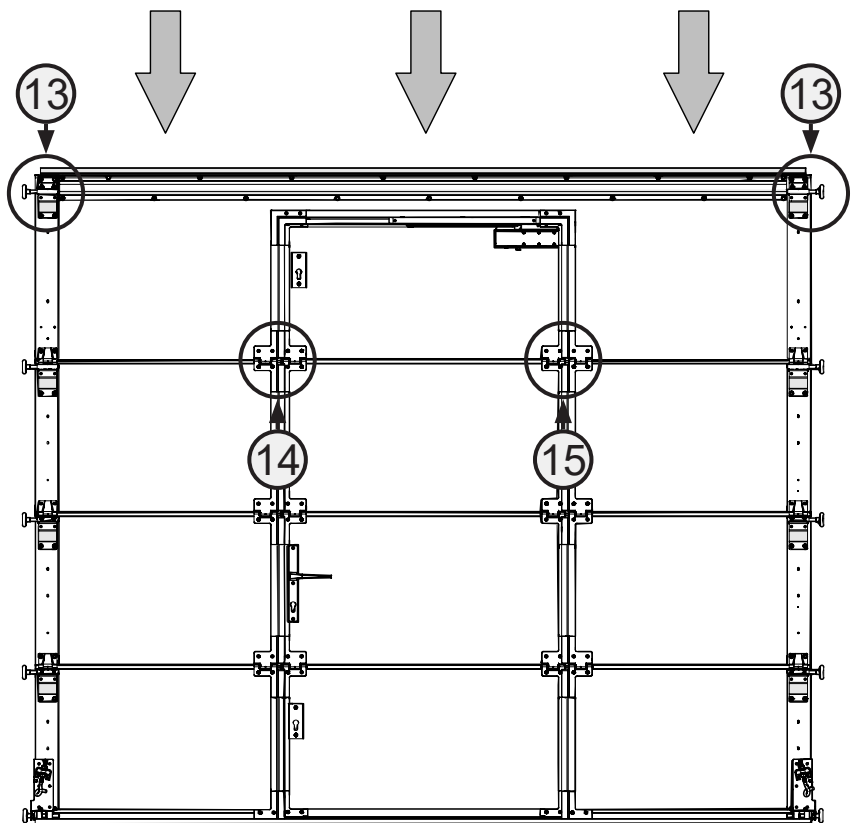
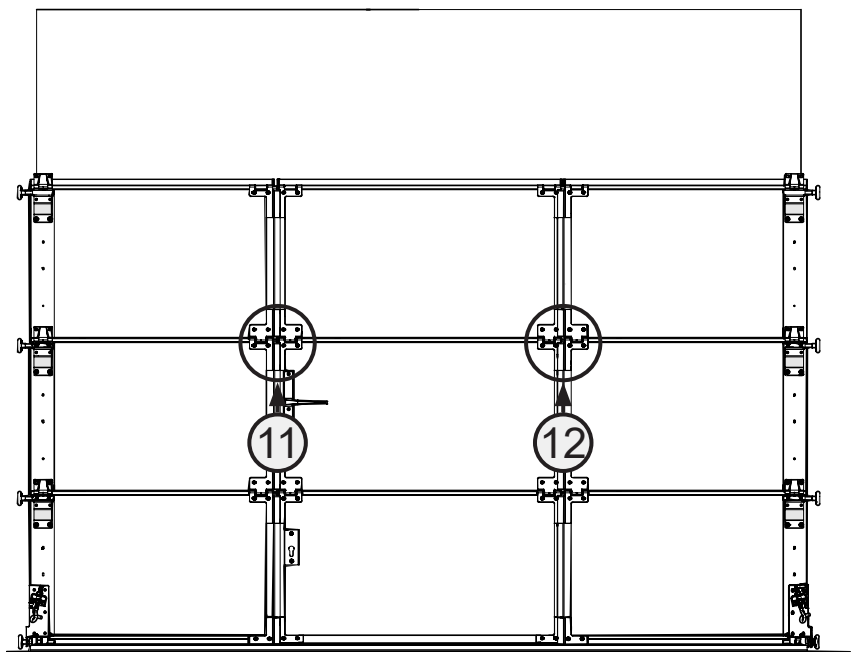
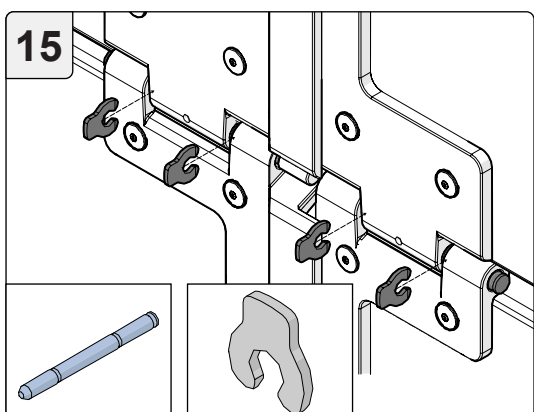
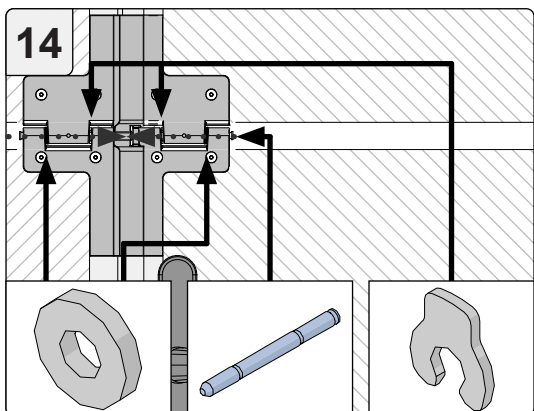
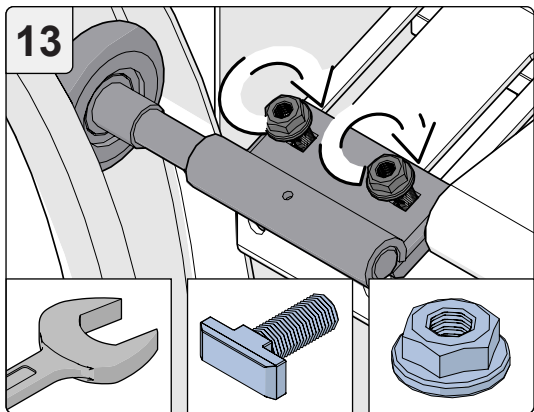
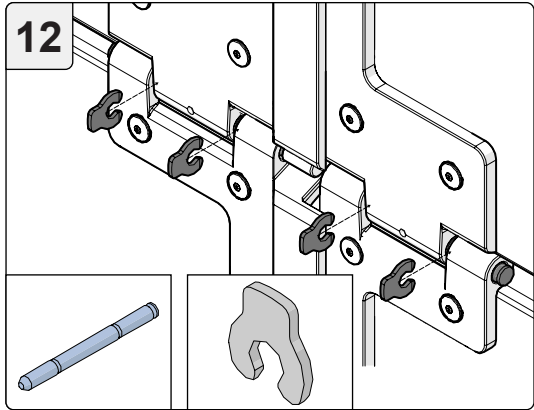
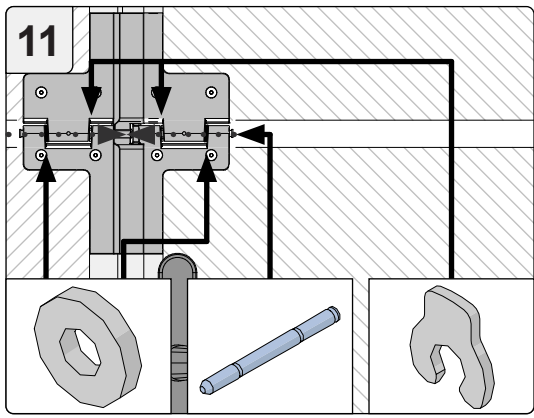


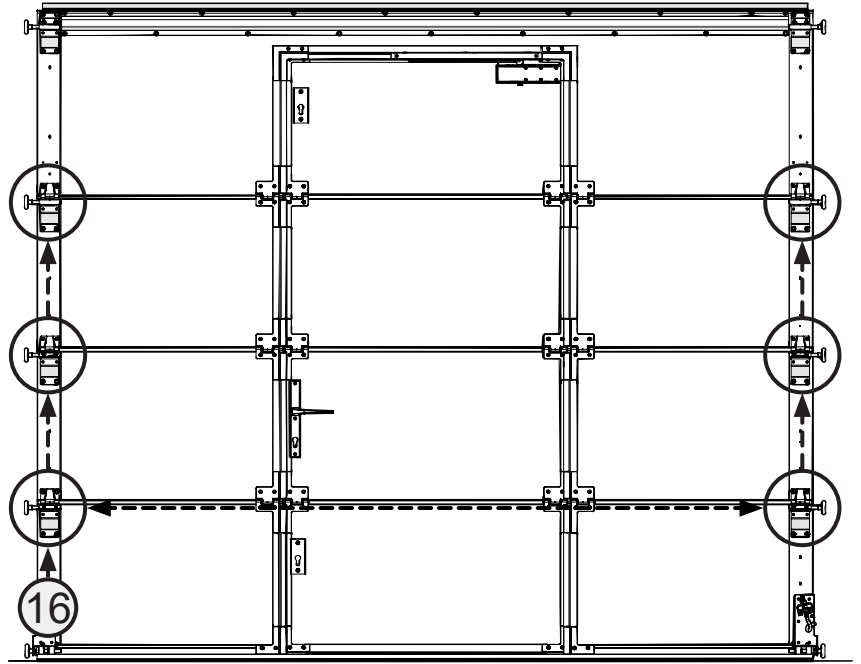
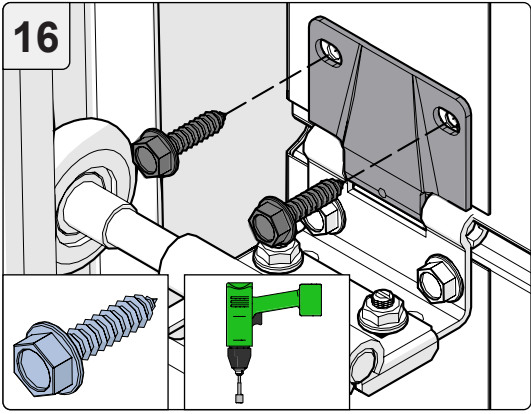
# OPTION

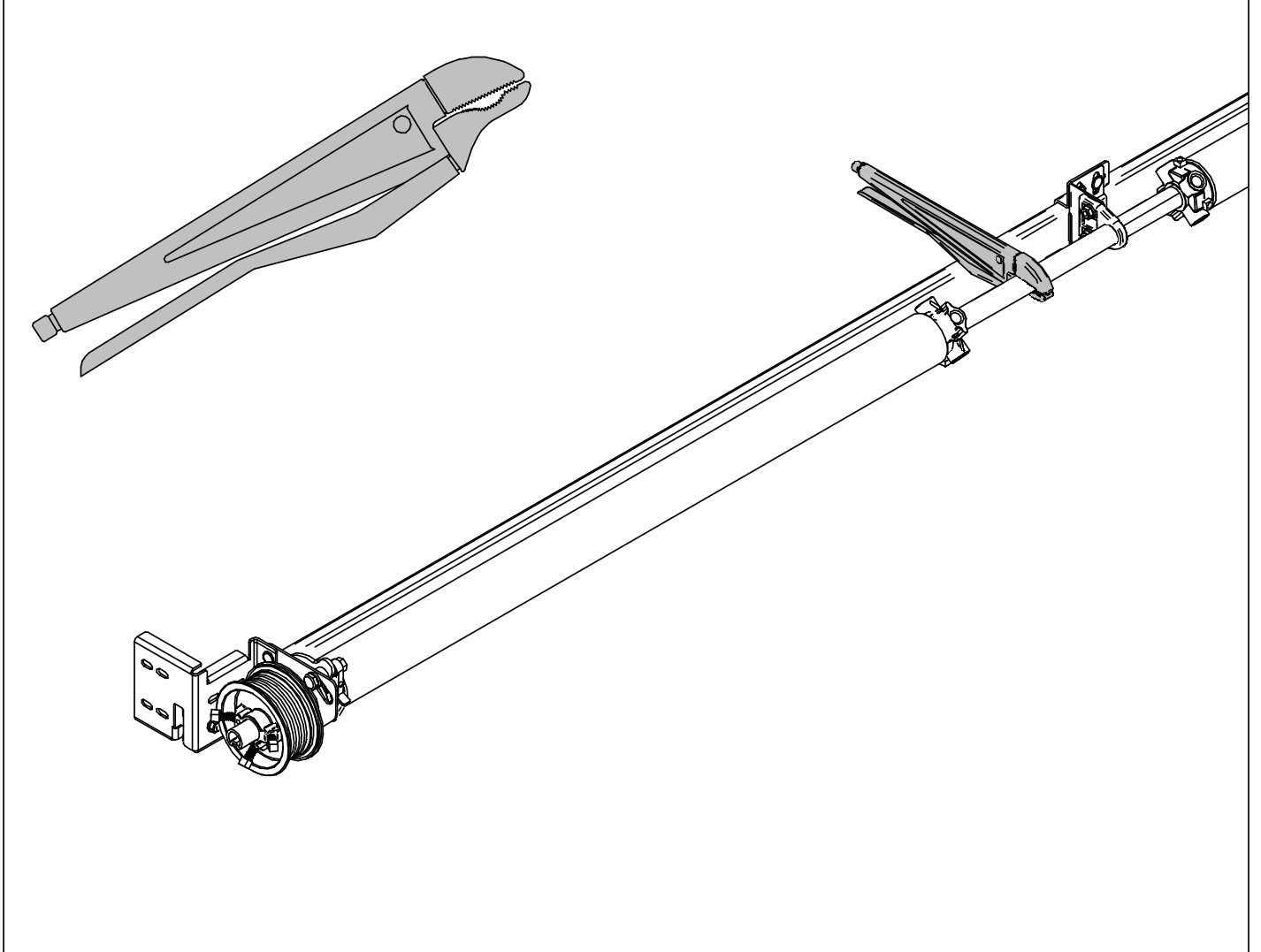
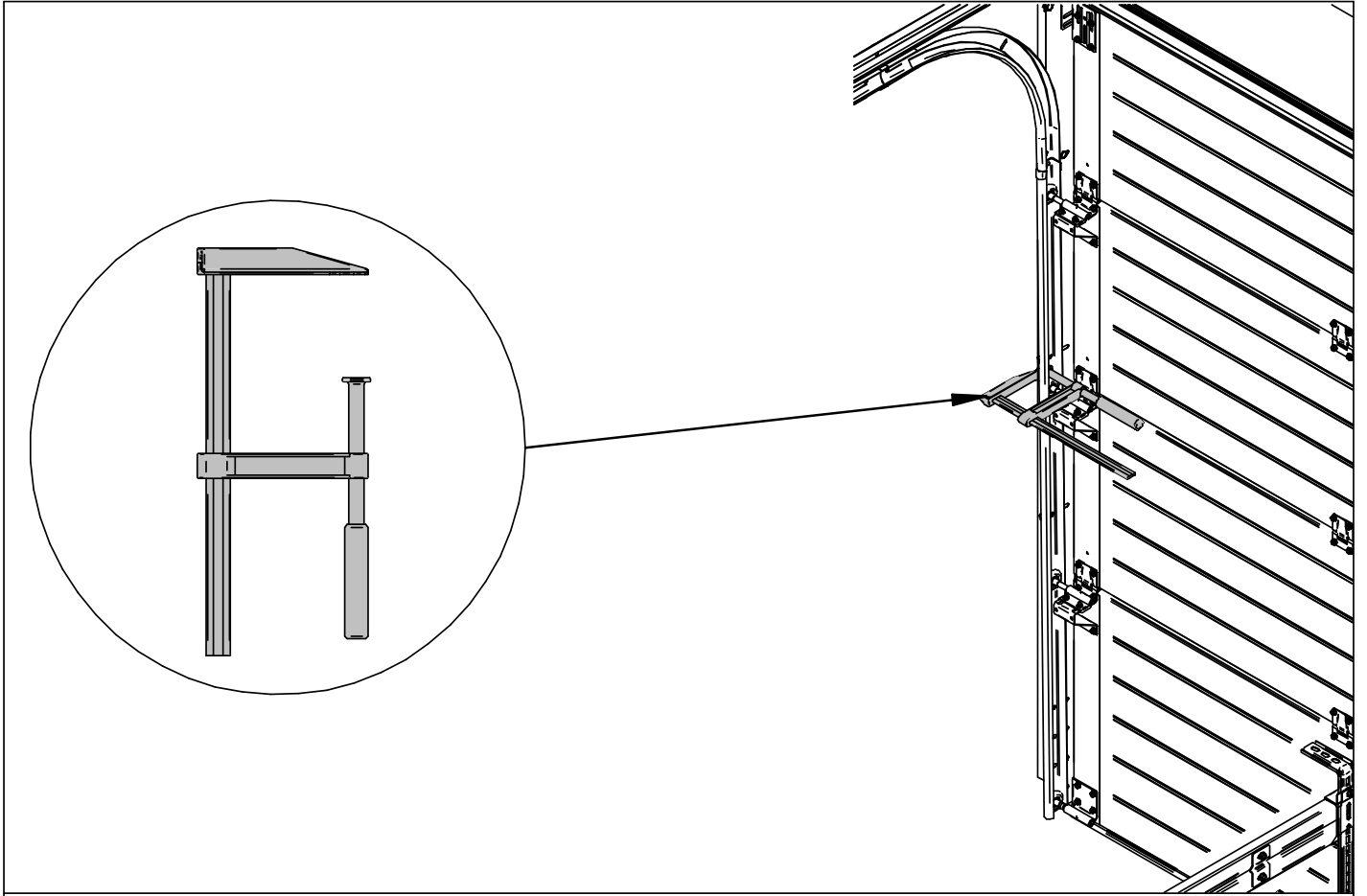


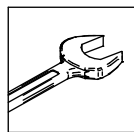
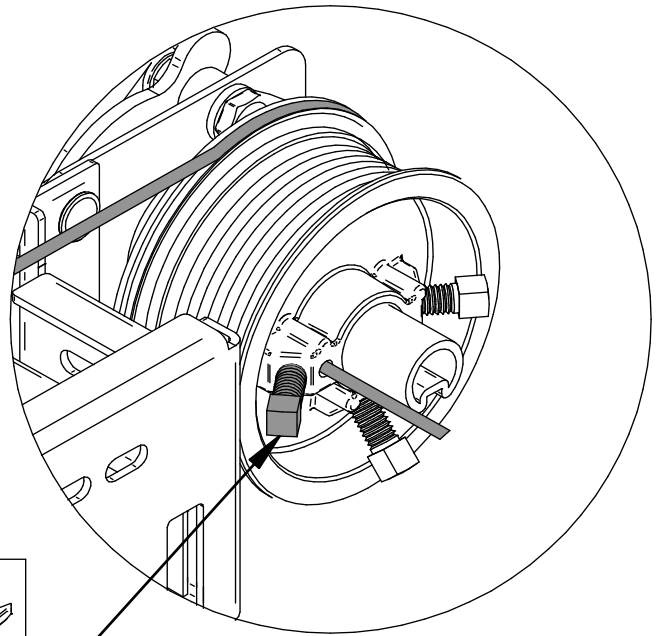
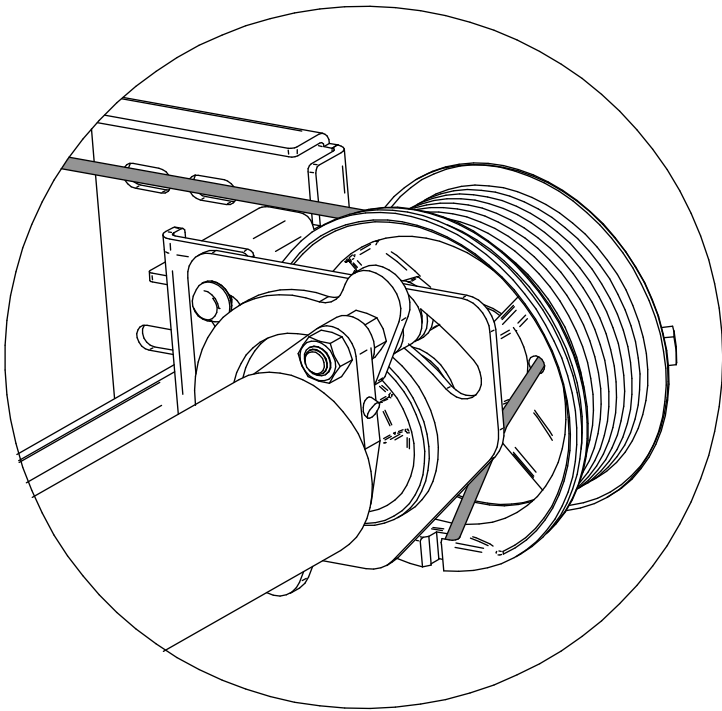
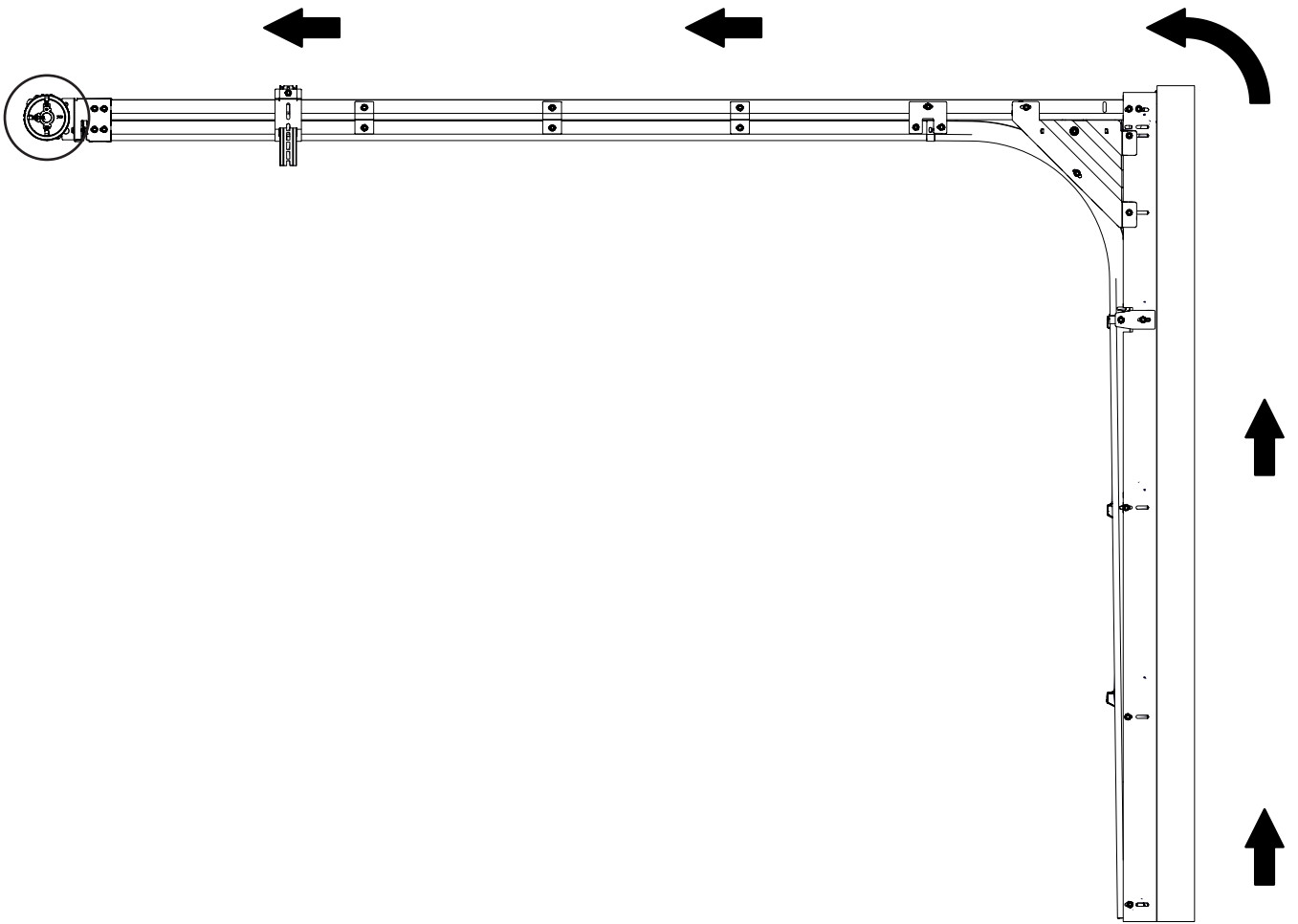












# Hardware

Customer Ref.:  
Our reference:

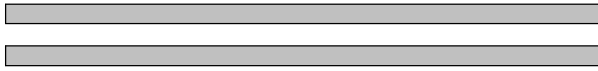
|     |          |     |     |          |        |          |        |       |
|-----|----------|-----|-----|----------|--------|----------|--------|-------|
| Qty | Doortype | DLW | DLH | Sections | Fields | Assembly | Weight | Turns |
|     |          | x   |     |          |        |          |        | 10.1  |

Turns x 360°



| Qty | Unit  | Art. num. | Article description                                | Length |
|-----|-------|-----------|--|--------|
| 1   | piece | 0461      | Spring break device Residential 1" right Ø 51mm SC |        |
| 1   | piece | 0462      | Spring break device Residential 1" left Ø 51mm SC  |        |

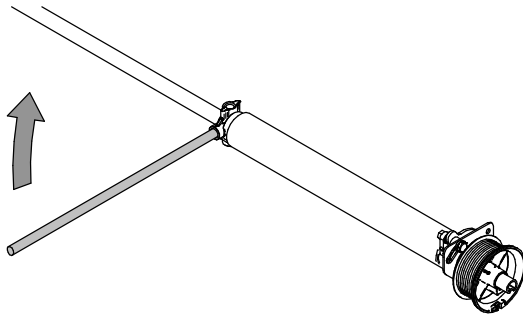
VEER / FEDER / SPRING / RESSORT < 67 mm



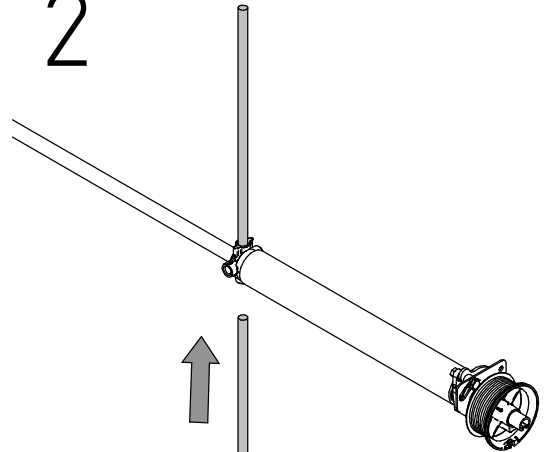
TENSION BAR

STAAL / STAHL / STEEL / ACIER 52

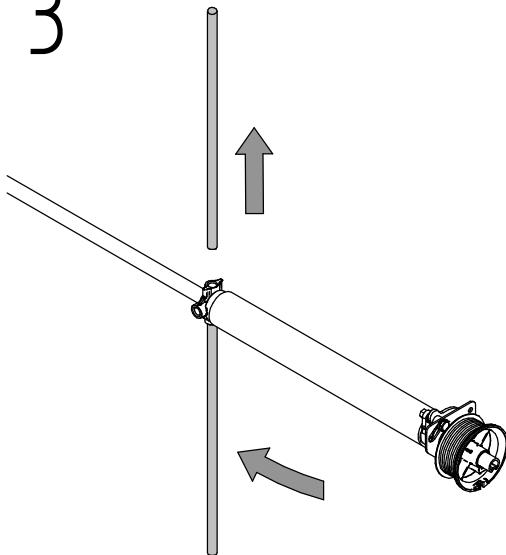
1



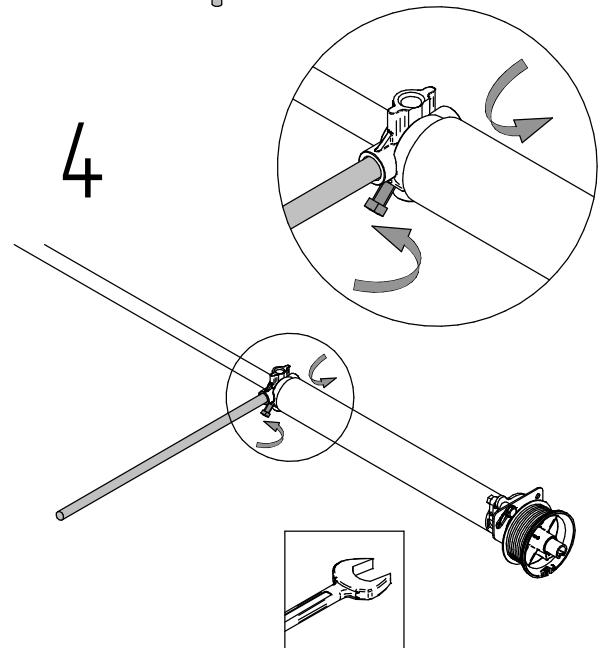
2



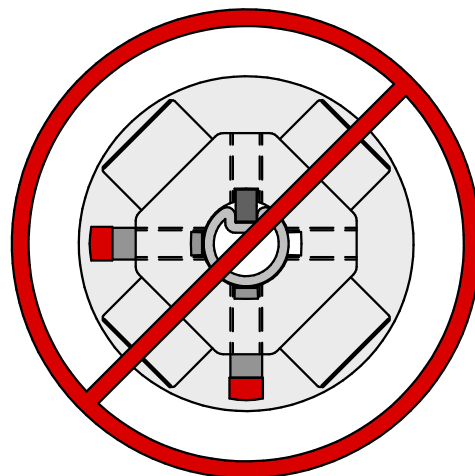
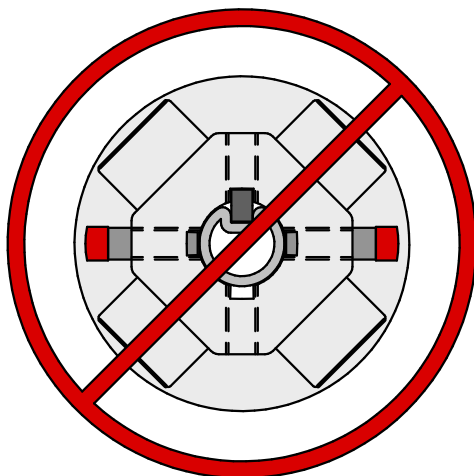
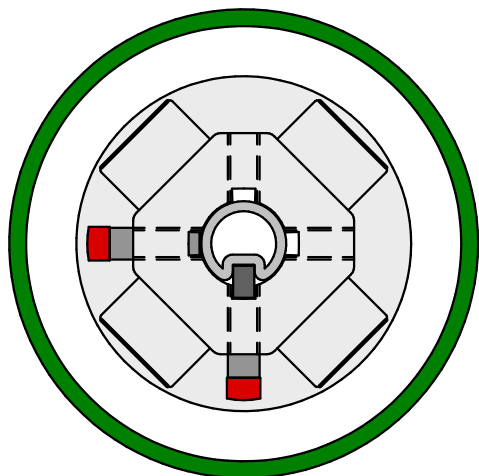
3

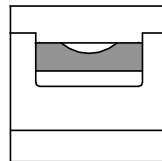
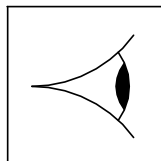
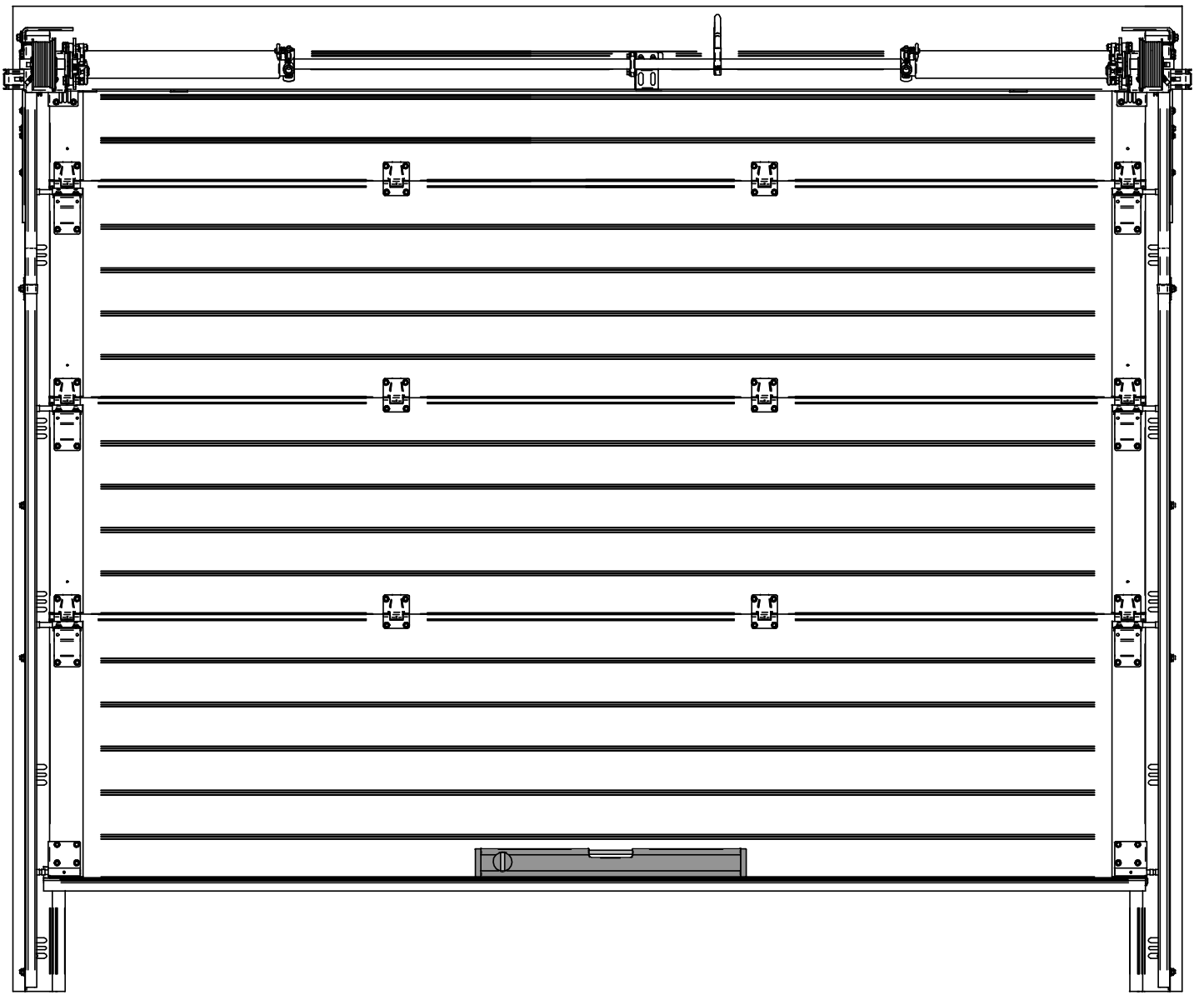


4

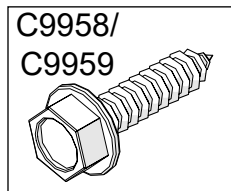
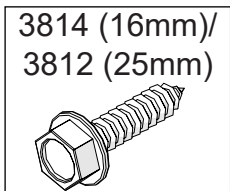
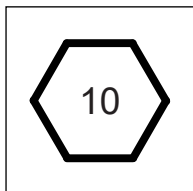
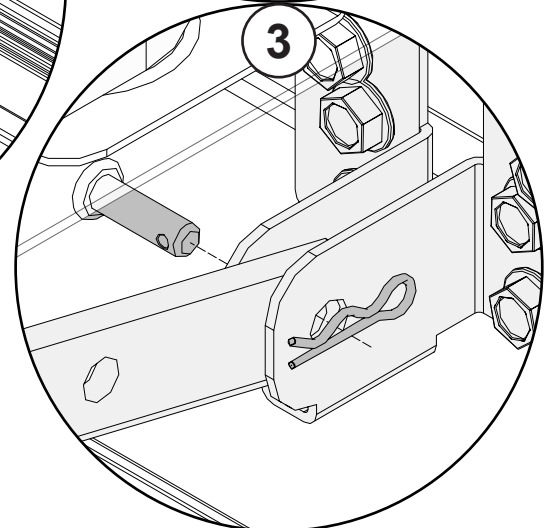
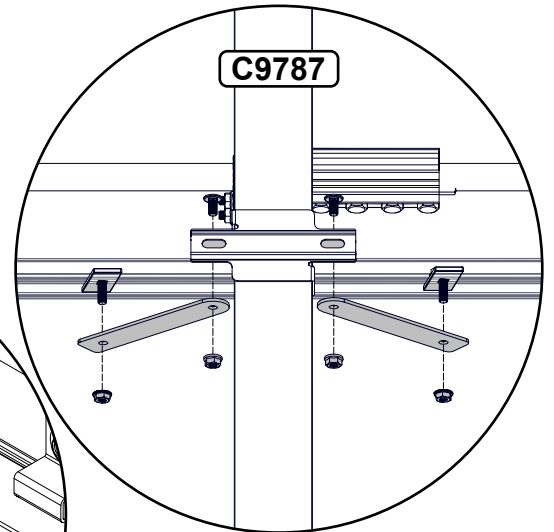
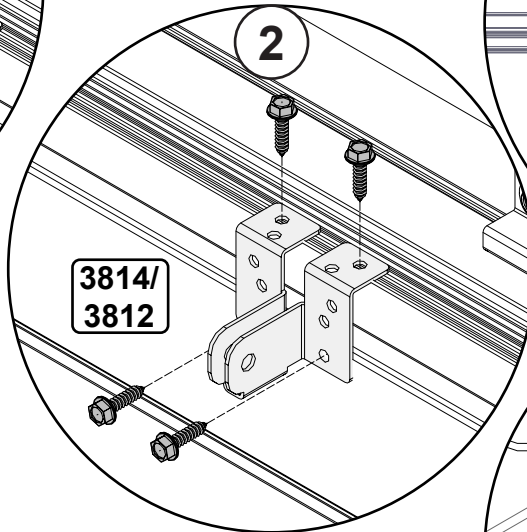
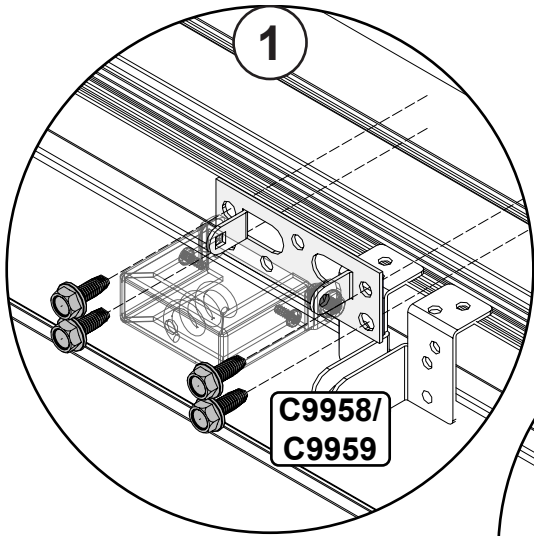
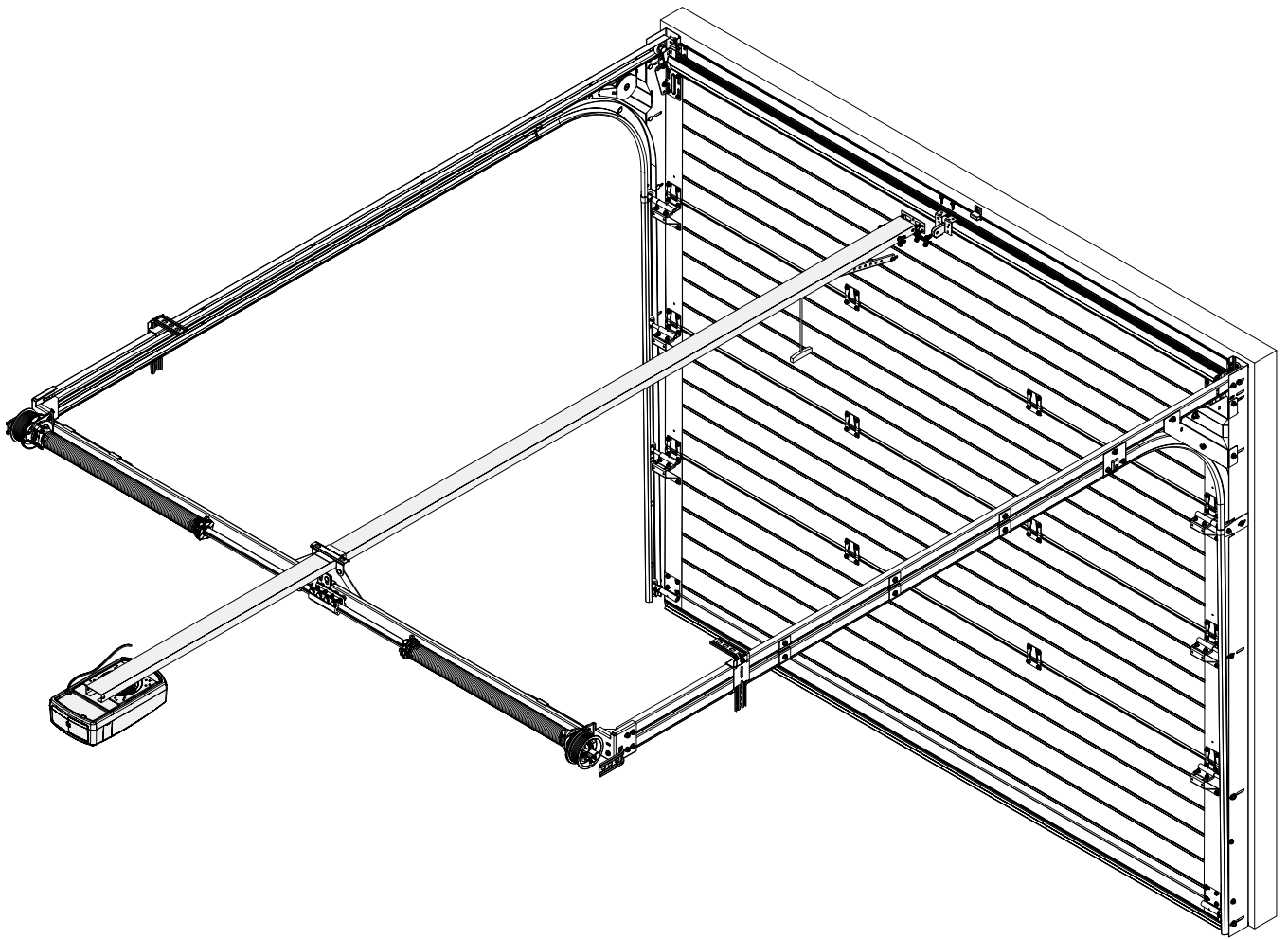


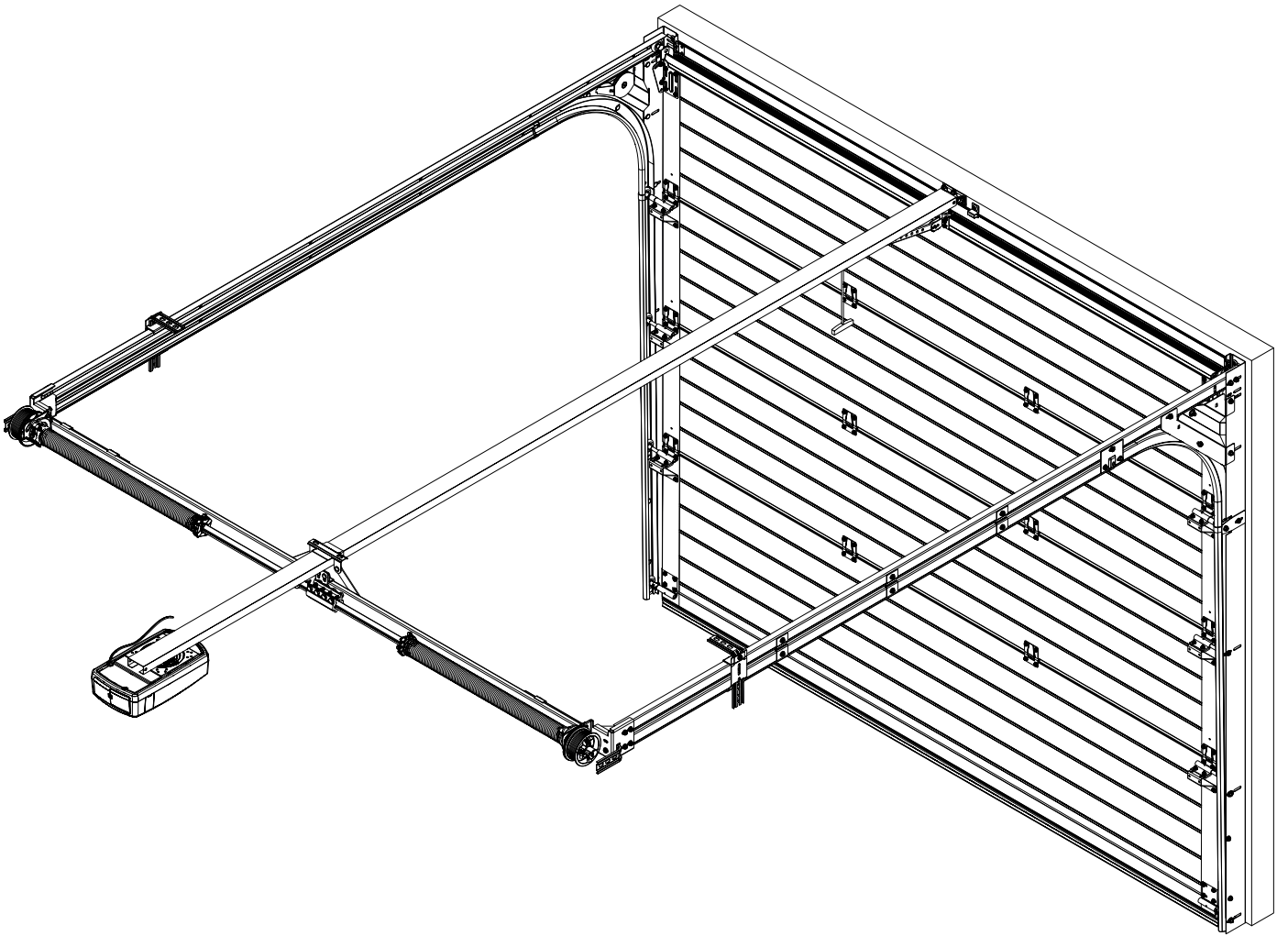
**NL:** Correcte wijze vastzetten van spankop  
**EN:** Correct fastening of winding plug  
**DE:** Richtige montage Feder spankopf  
**FR:** Fixation correcte du mandrin de tension



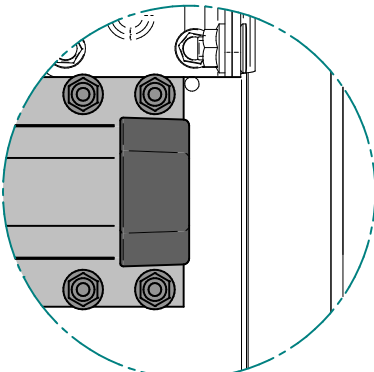
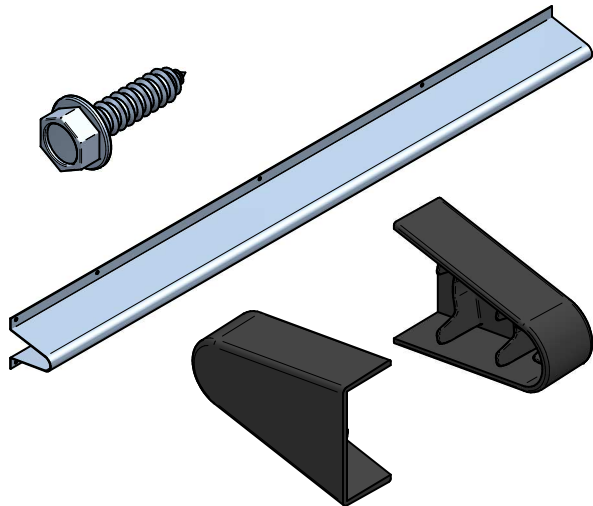
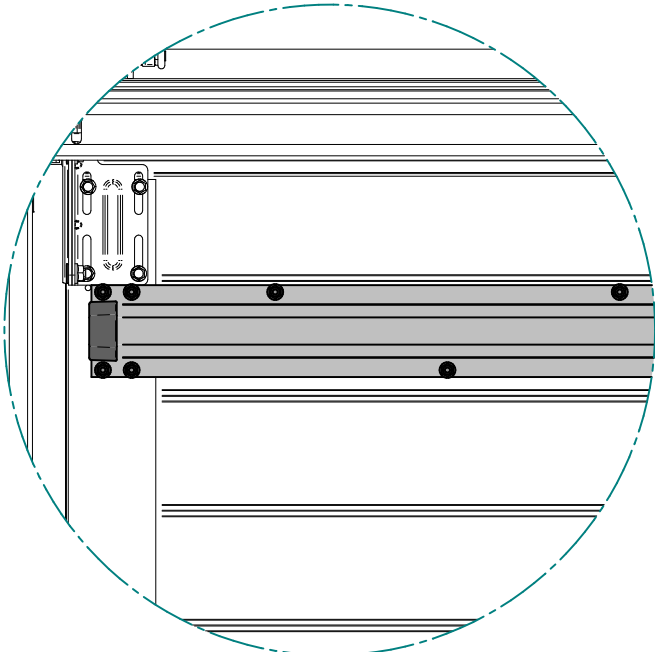
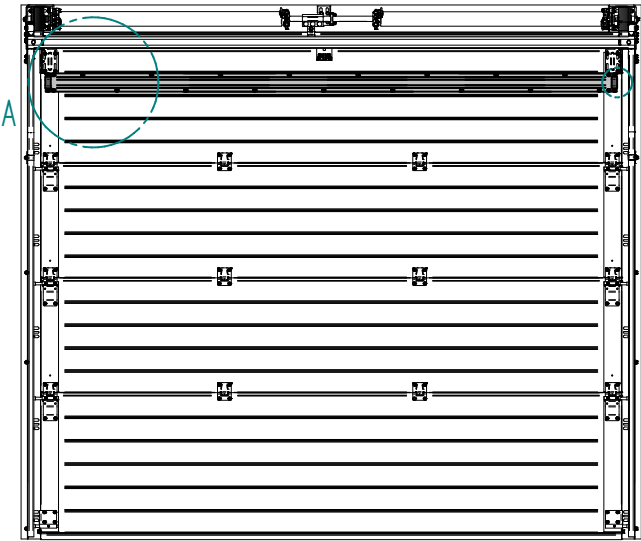
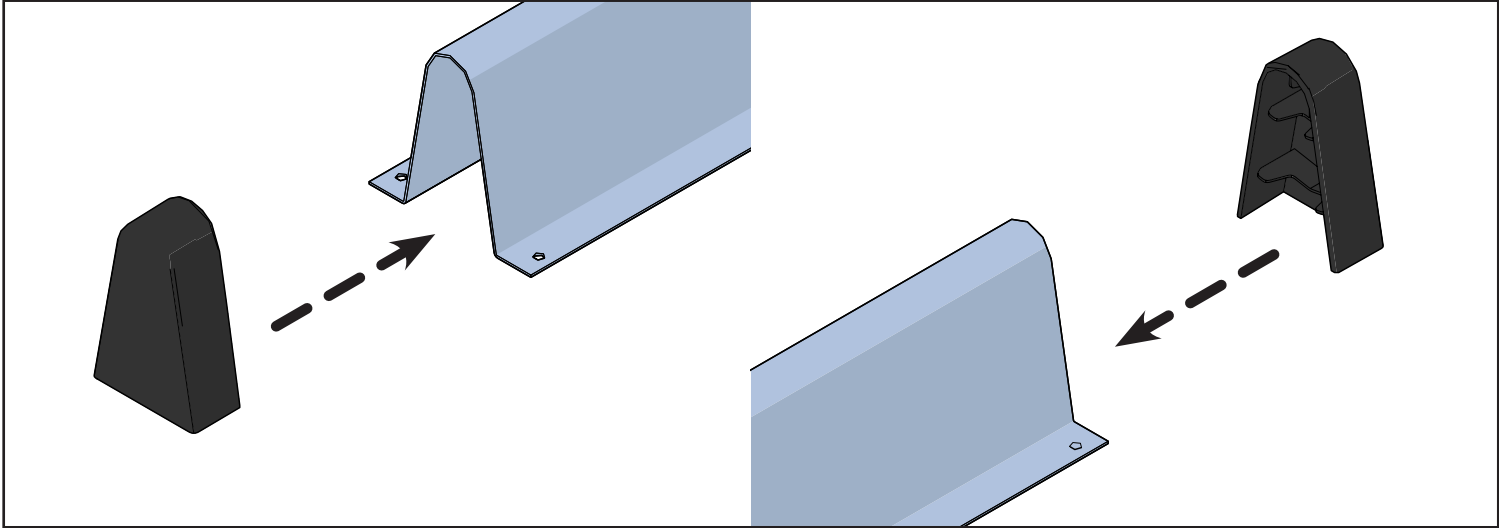
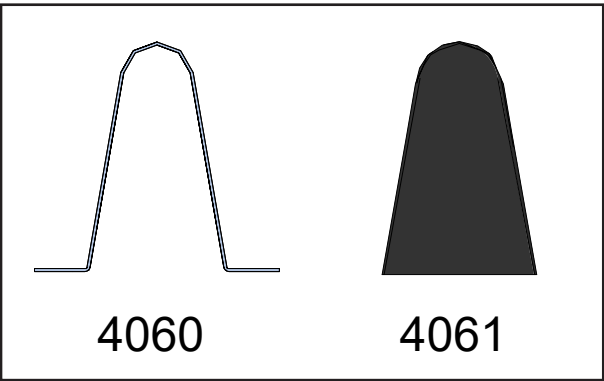




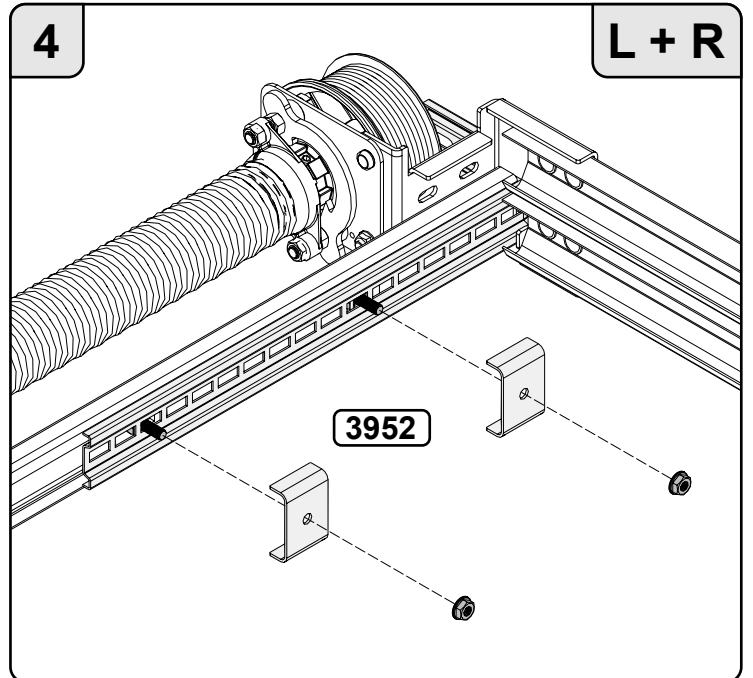
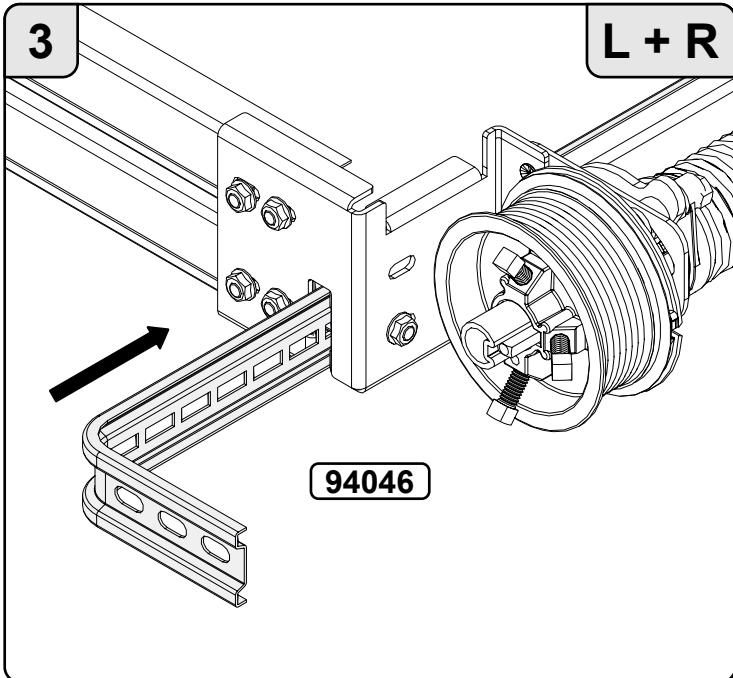
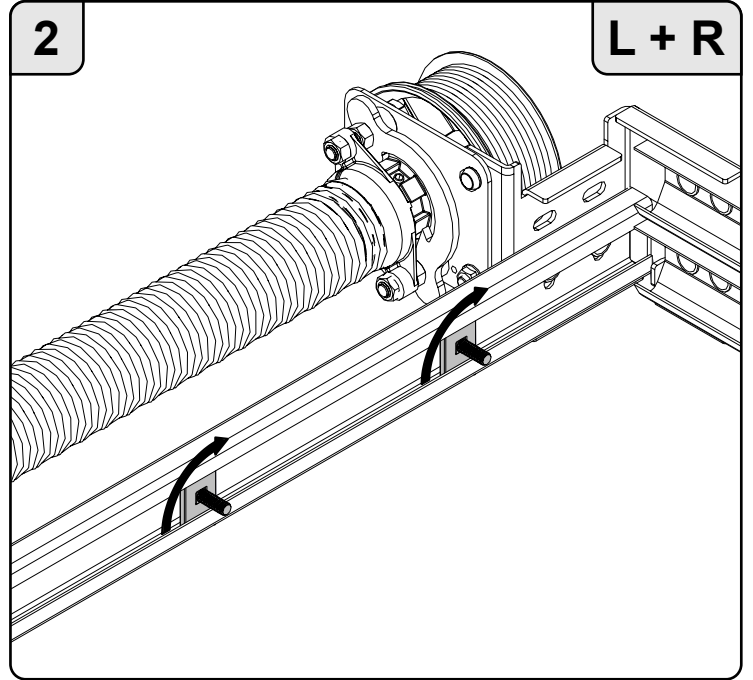
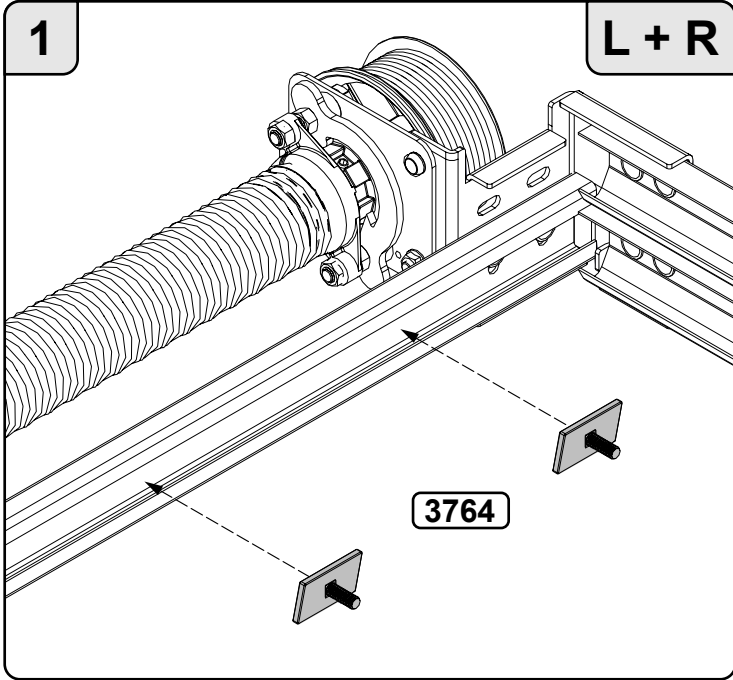
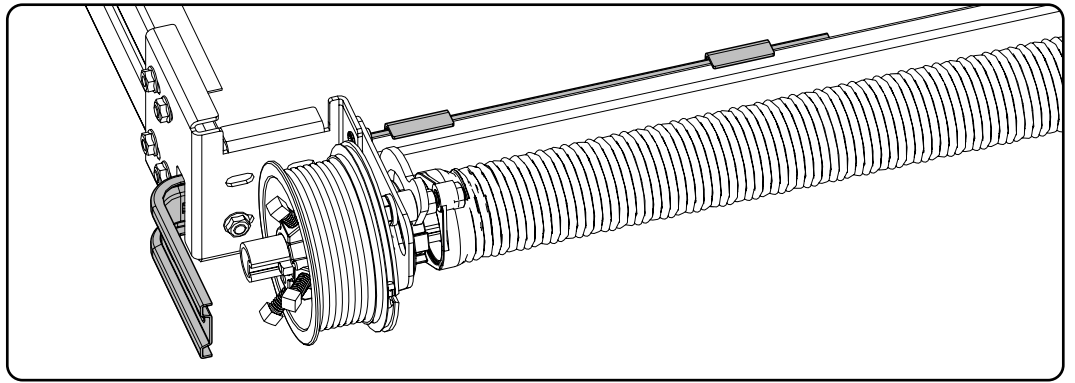




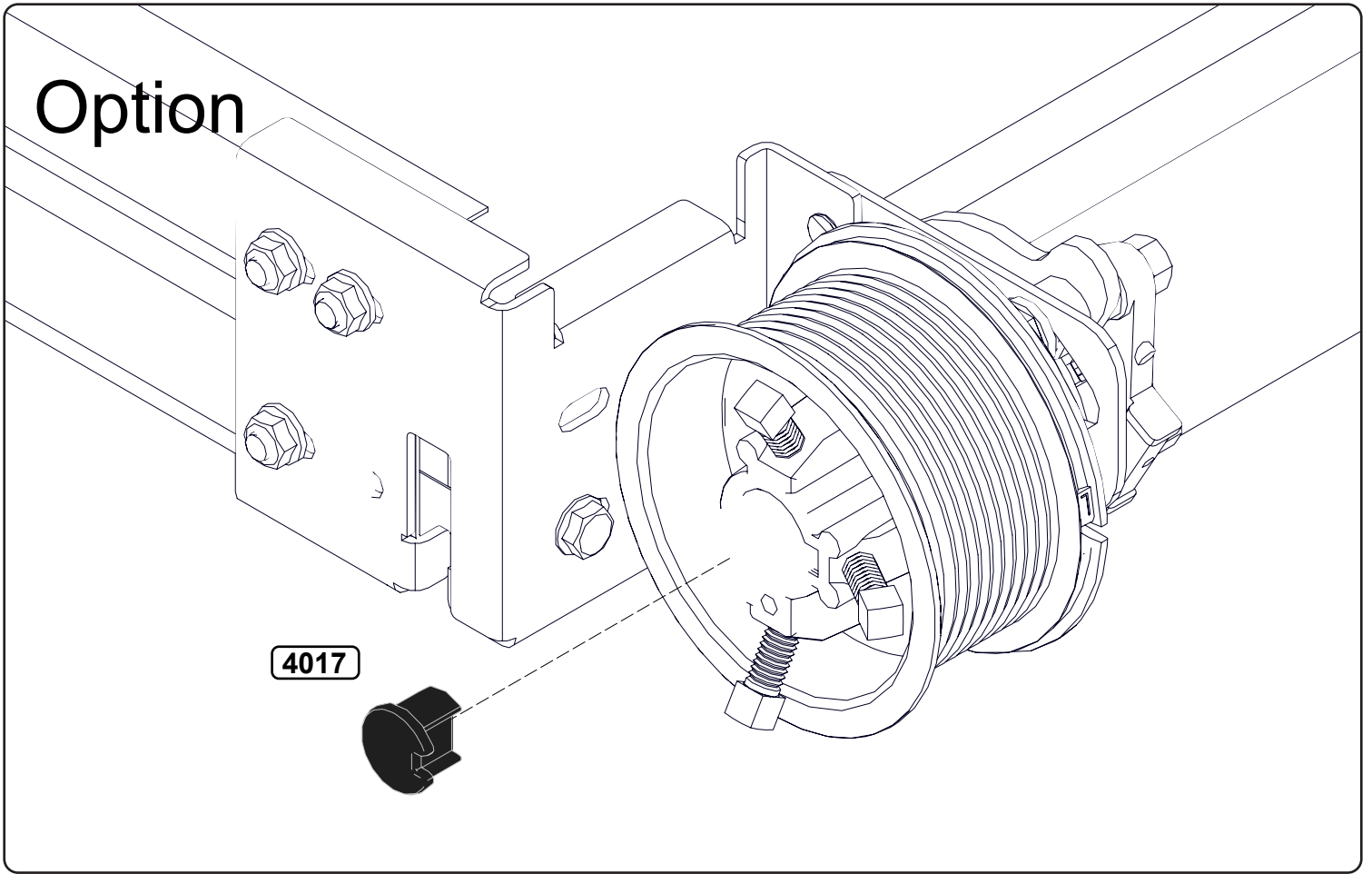
DMB =  $\geq 4500$



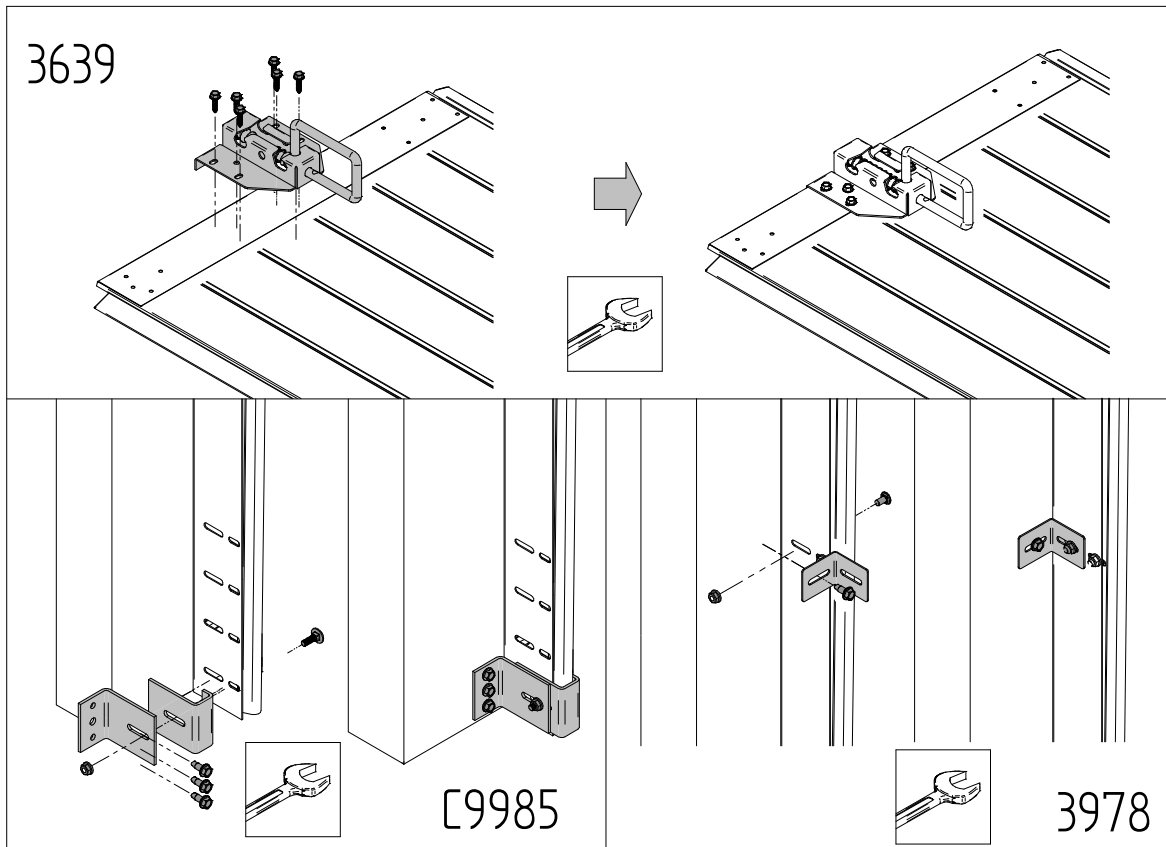
# Option

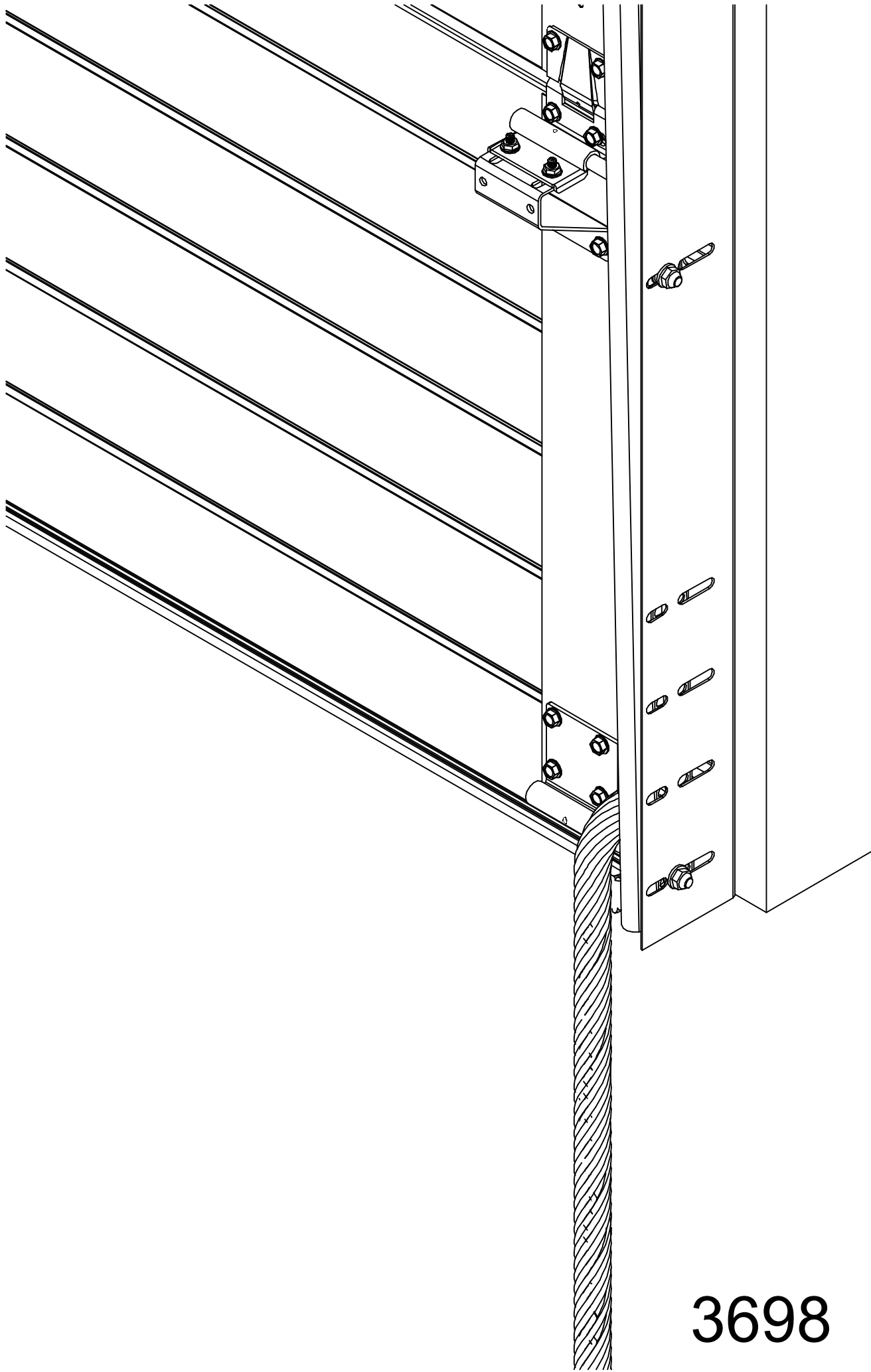


# Option

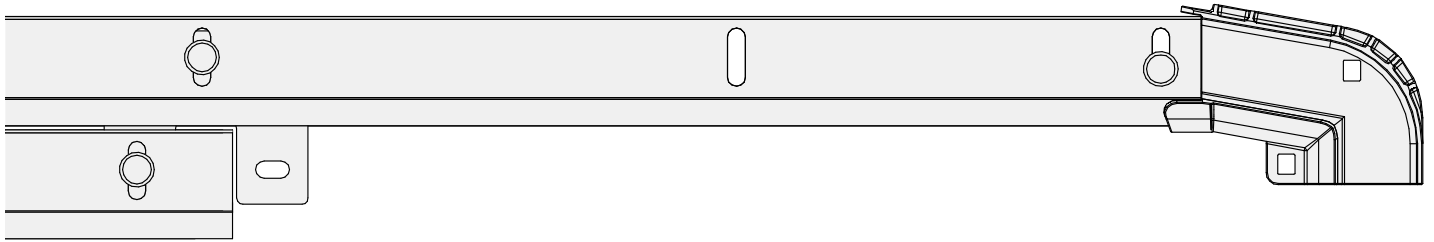
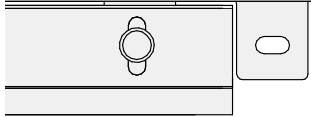
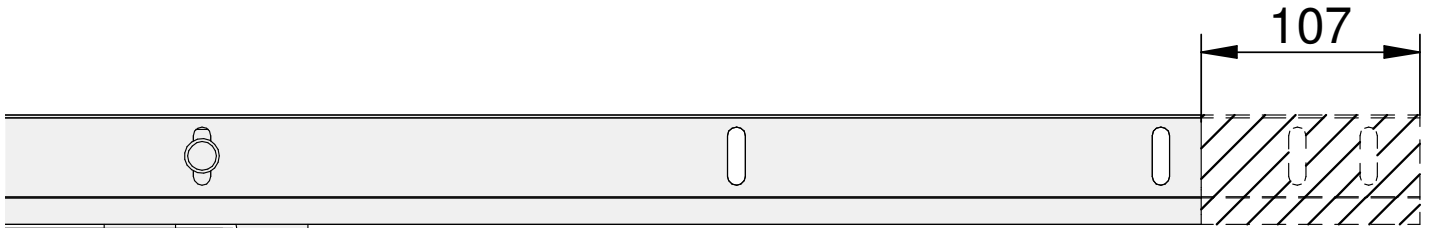
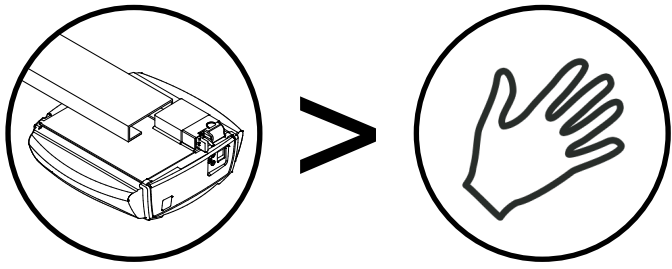


# Options

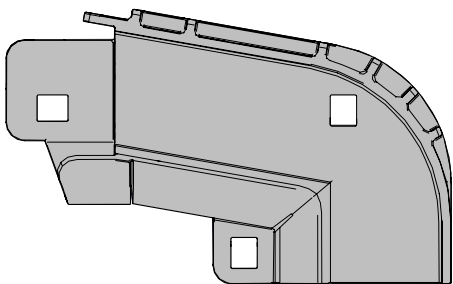




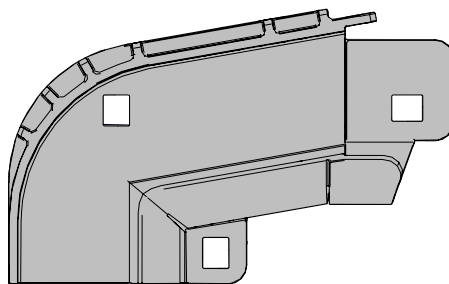
3698



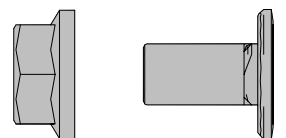
+



3998



3999



8080 8280  
(2x)